



1 Create Robot

ICQBot

Building Steps

Empowering every child to explore the joy of technology!

The color of the components shall conform to that of the actual images.



Scan the QR code for project demo videos.



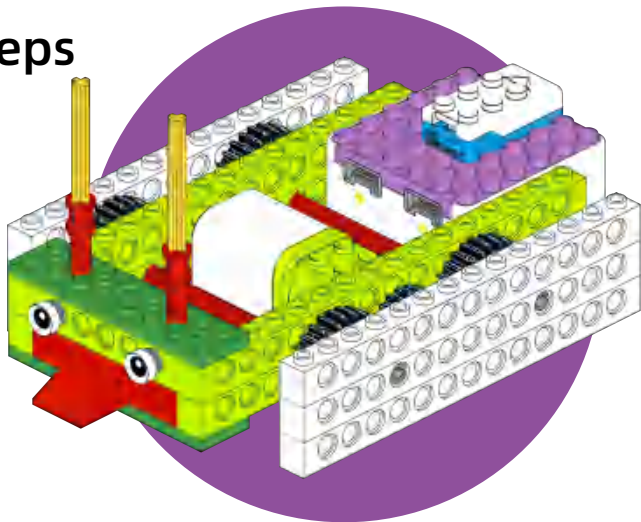
Scan the QR code for detailed instruction.

Contents

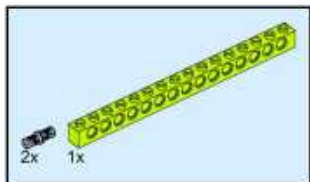
Insect Adventure	01	The Fencing Master	128
Undersea Treasure Hunt	20	Pac-Man	155
Conveyor Belt	34	The Lucky Wheel	167
Jungle Traverse	51	Obstacle Dodge	185
Flying Party	72	Parts List	199
Rocket	106		

ICQBot

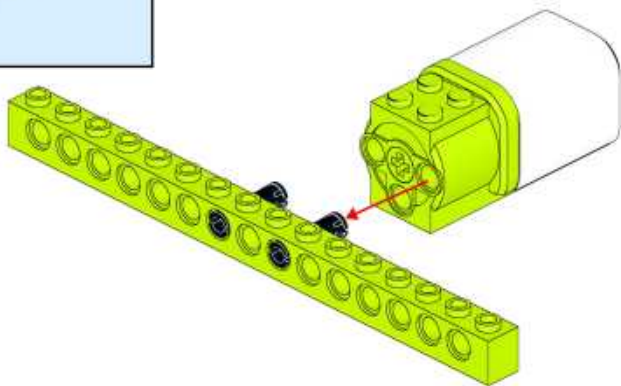
Building Steps



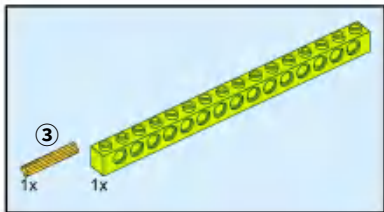
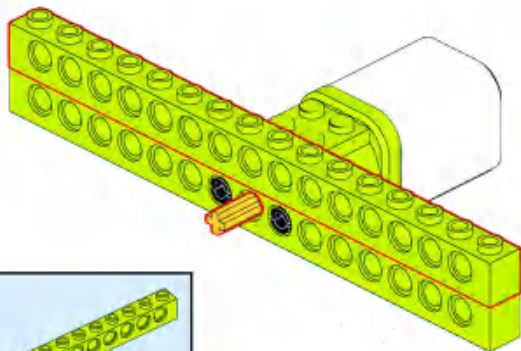
Insect Adventure



1

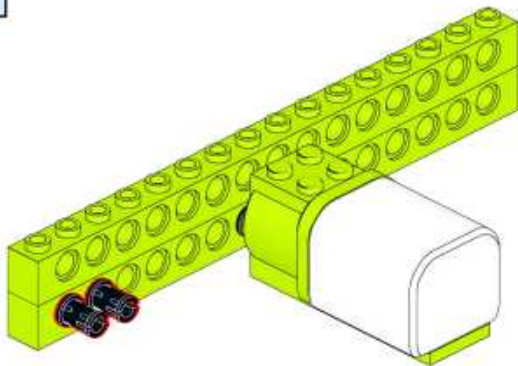


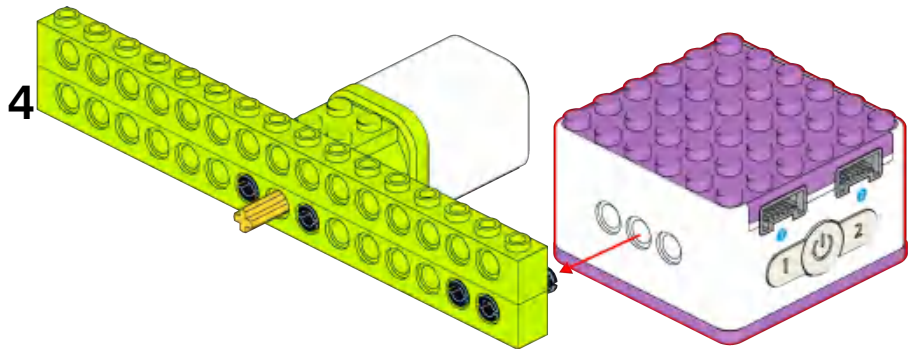
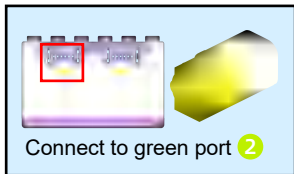
2





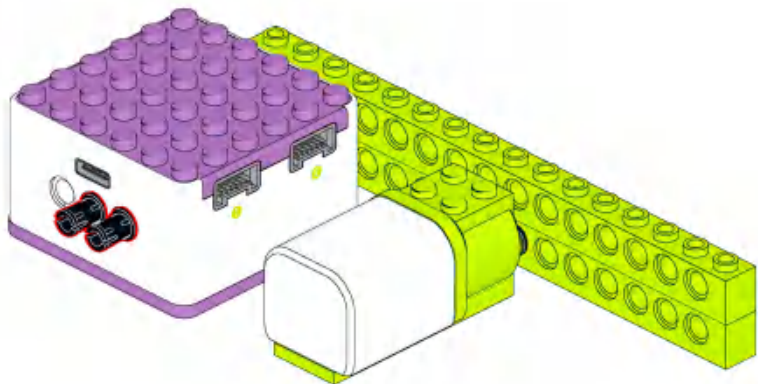
3



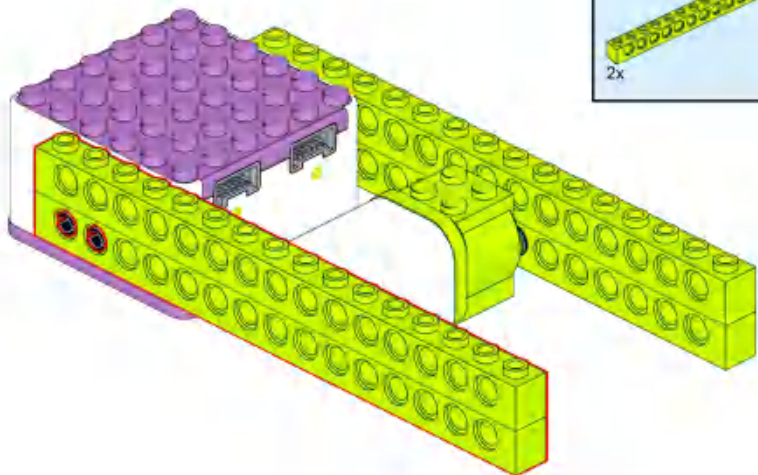




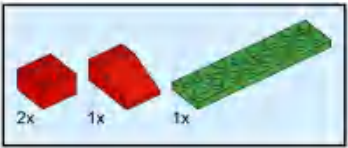
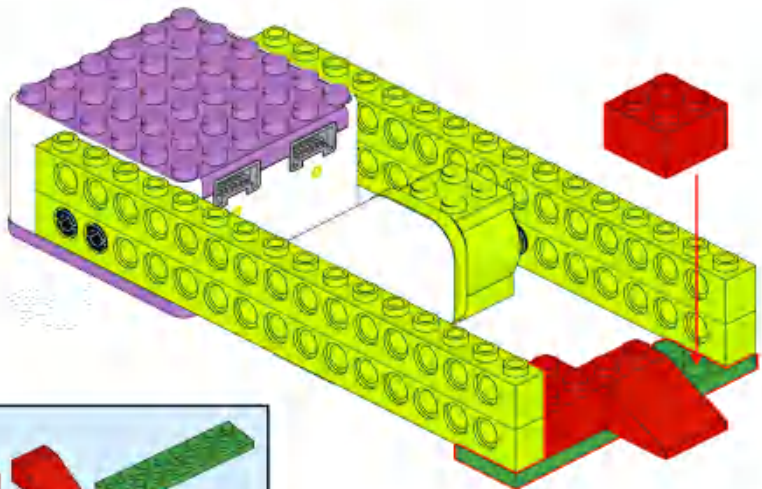
5

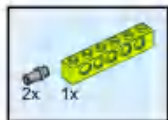


6

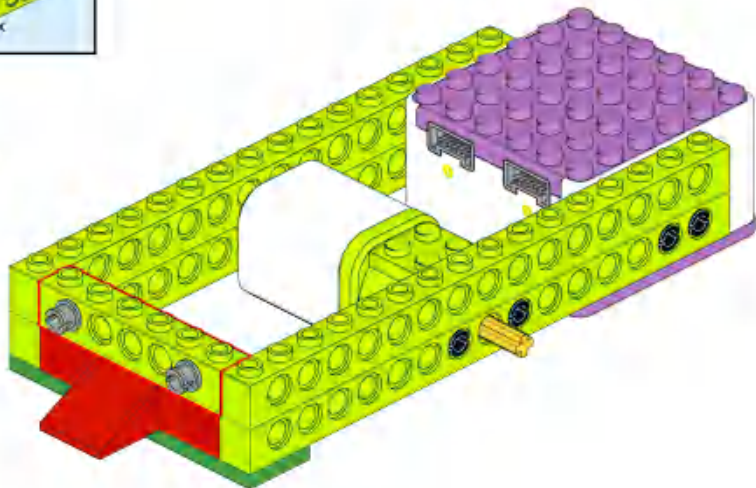


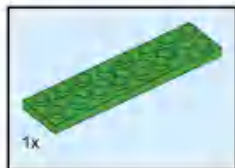
7



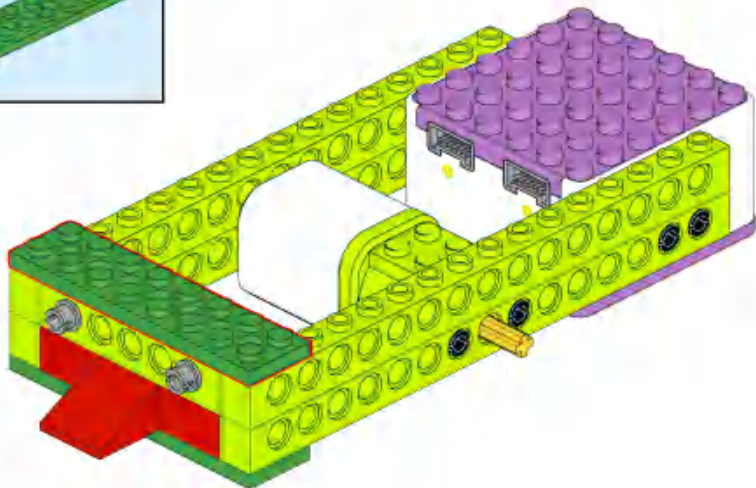


8



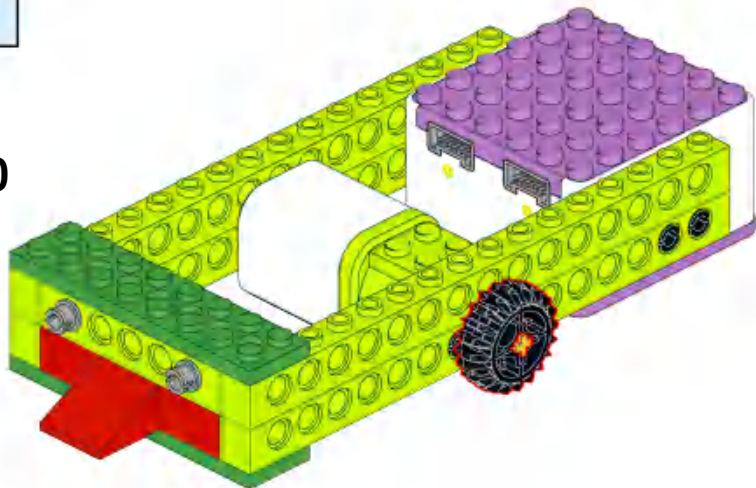


9



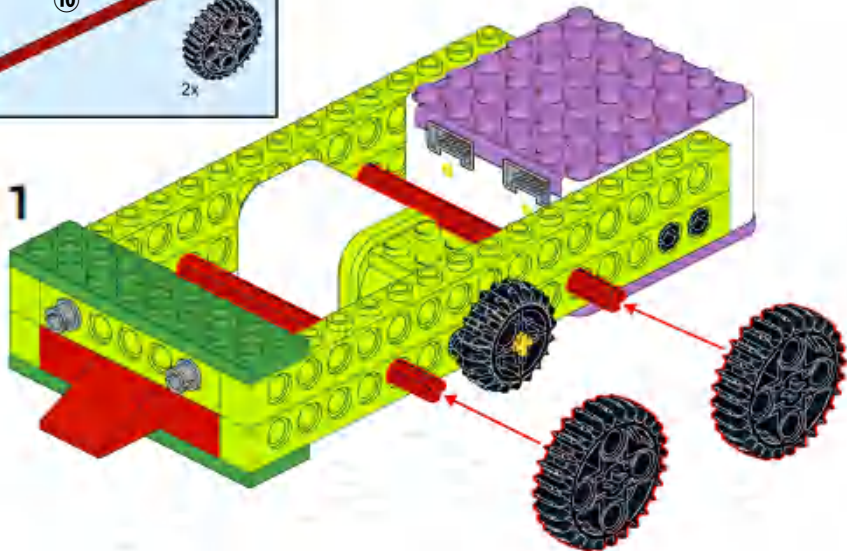


10



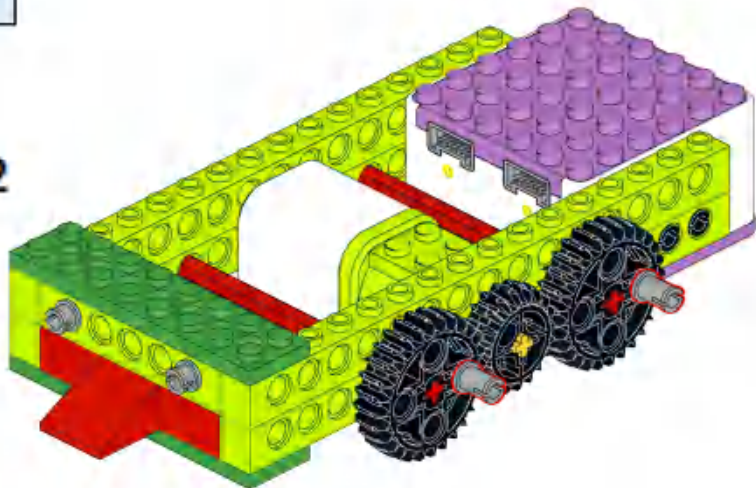


11



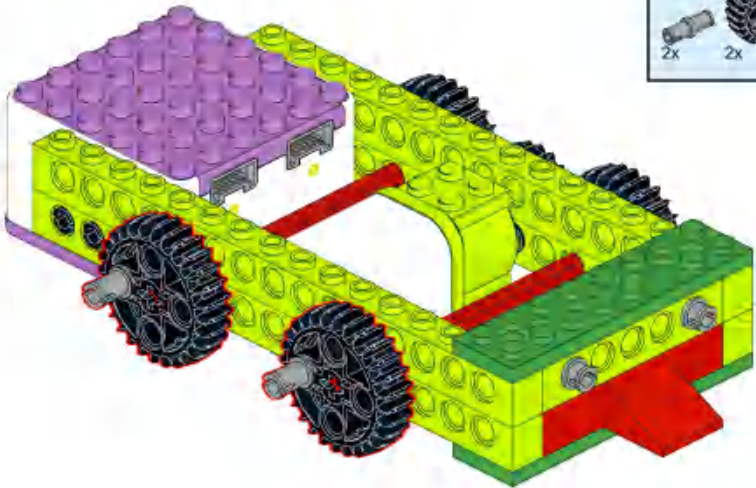


12

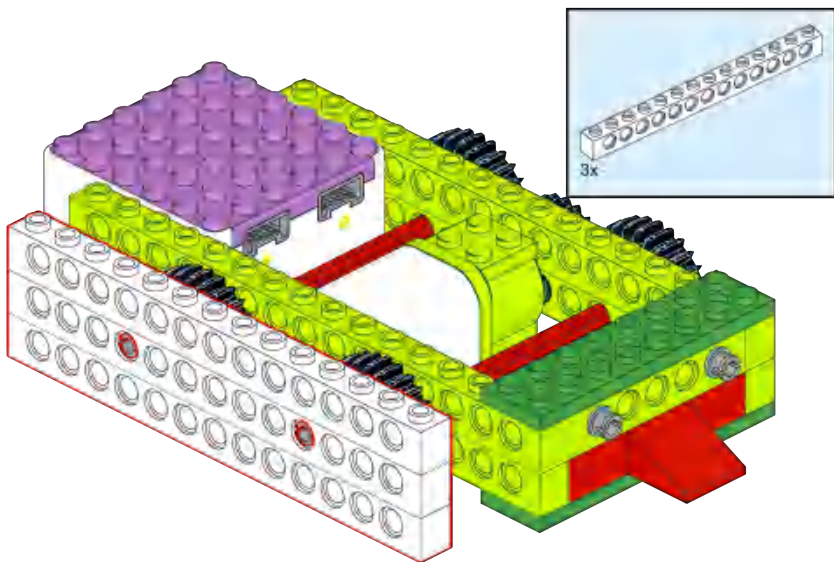




13

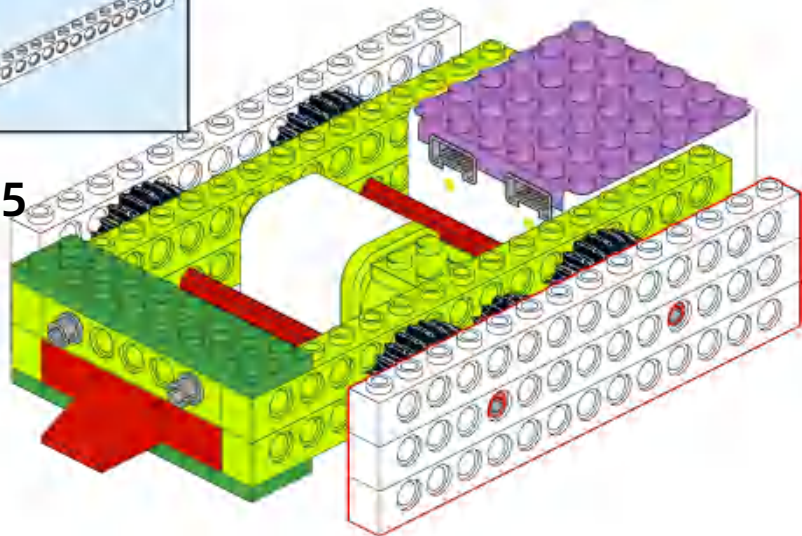


14

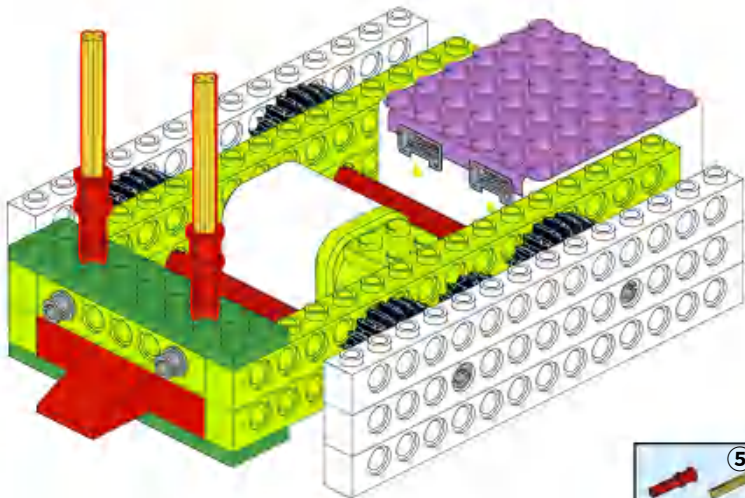


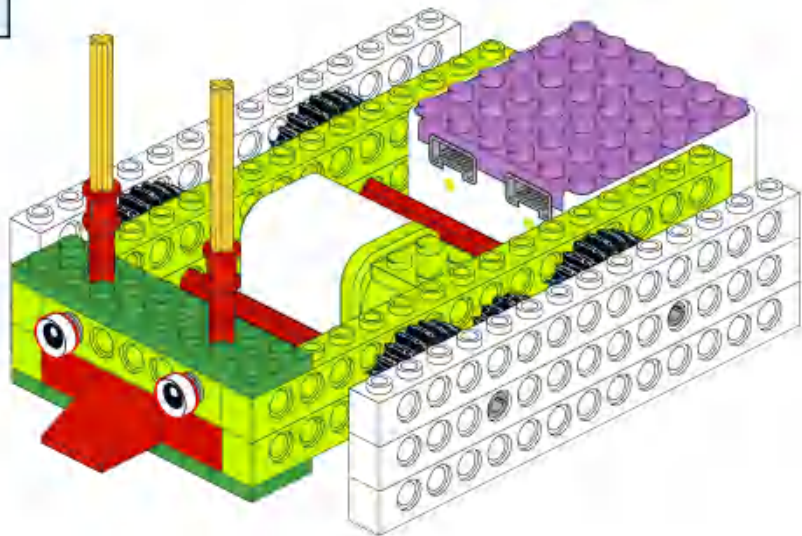


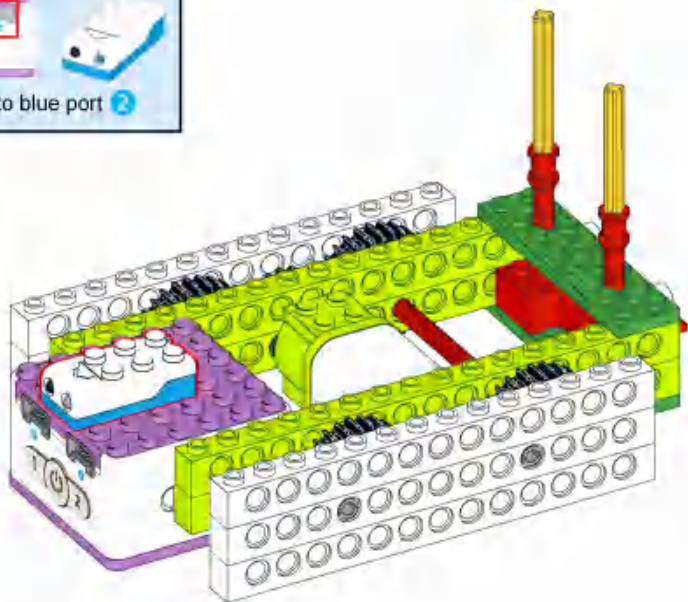
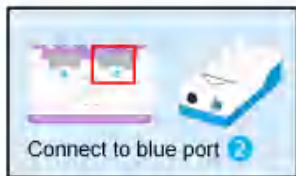
15



16

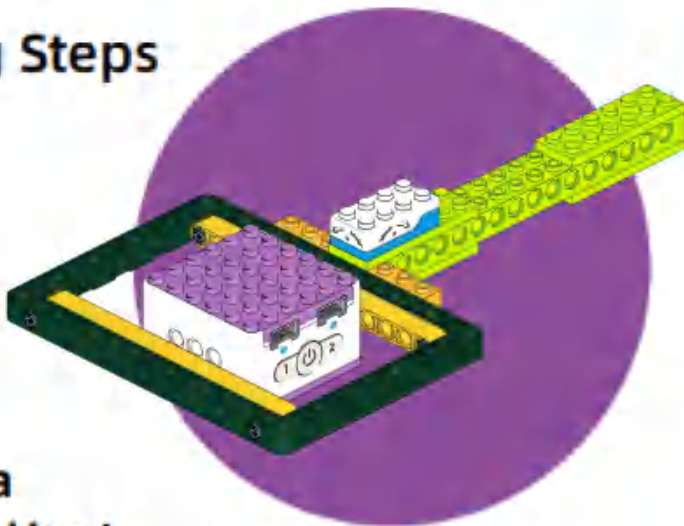




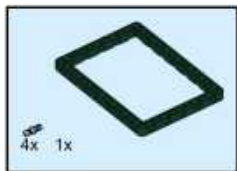


ICQBot

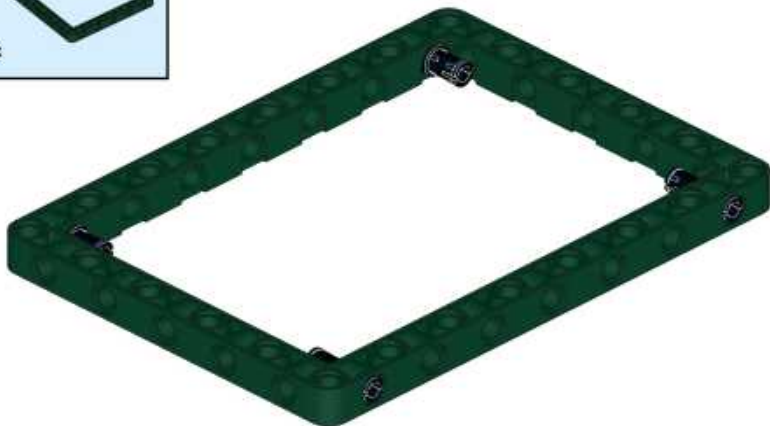
Building Steps

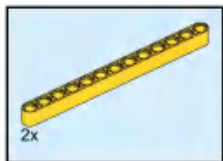


Undersea Treasure Hunt

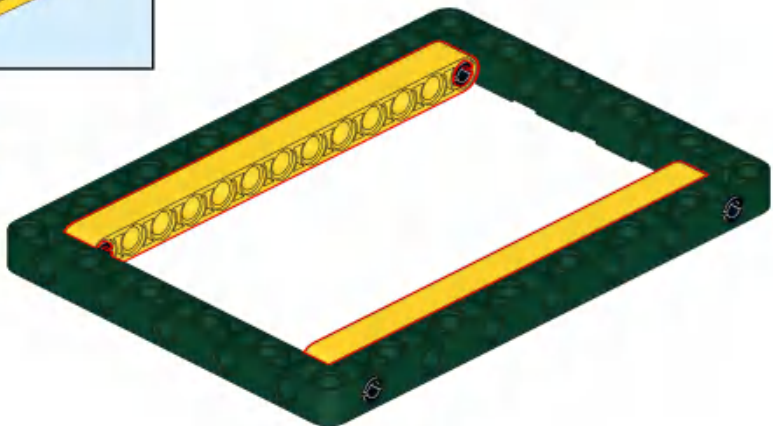


1





2

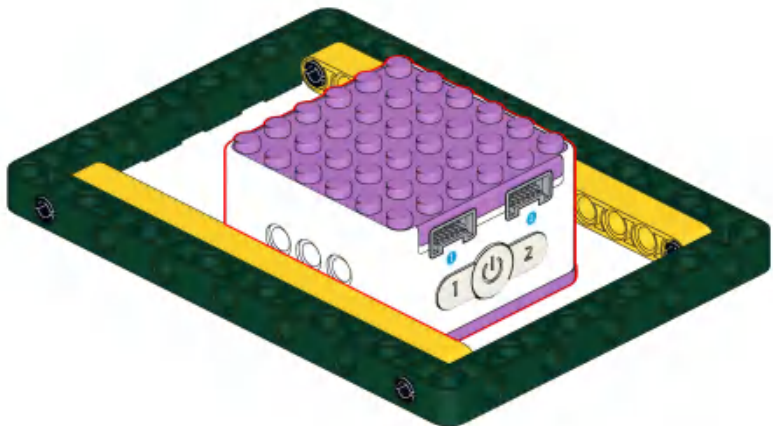


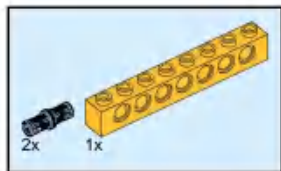


3

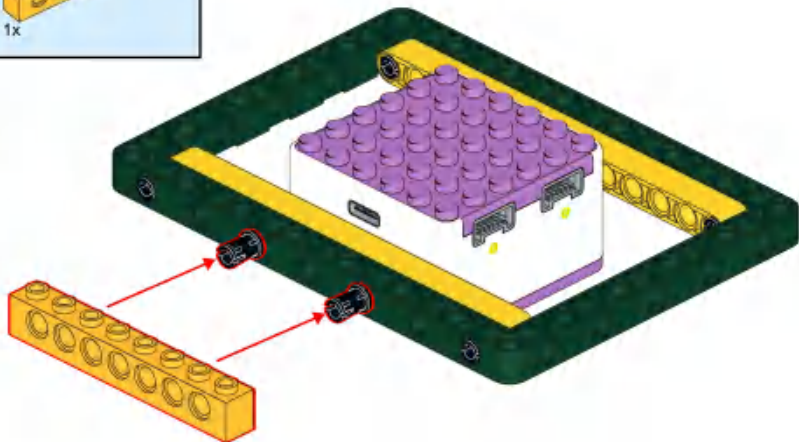


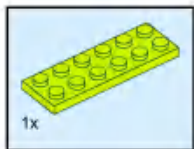
4



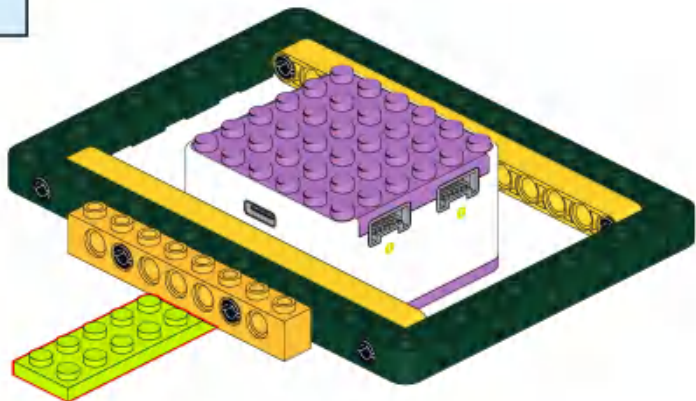


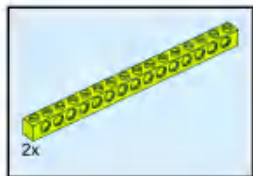
5



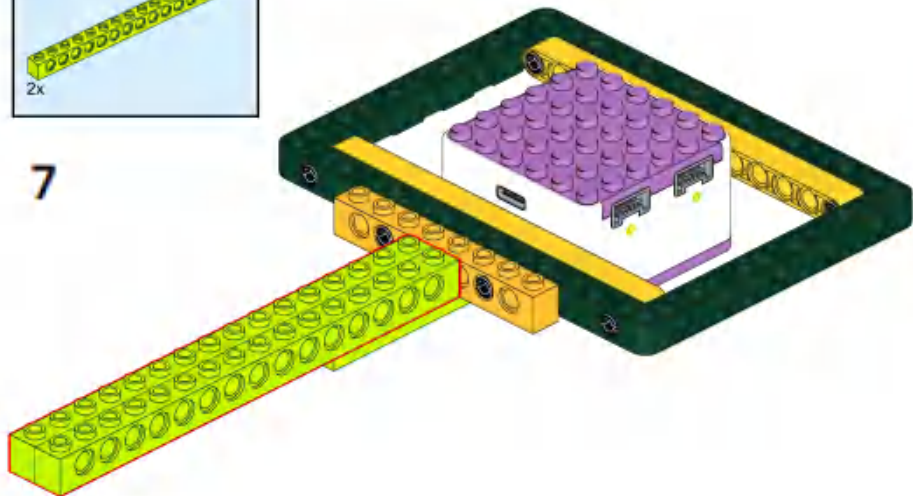


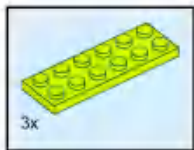
6



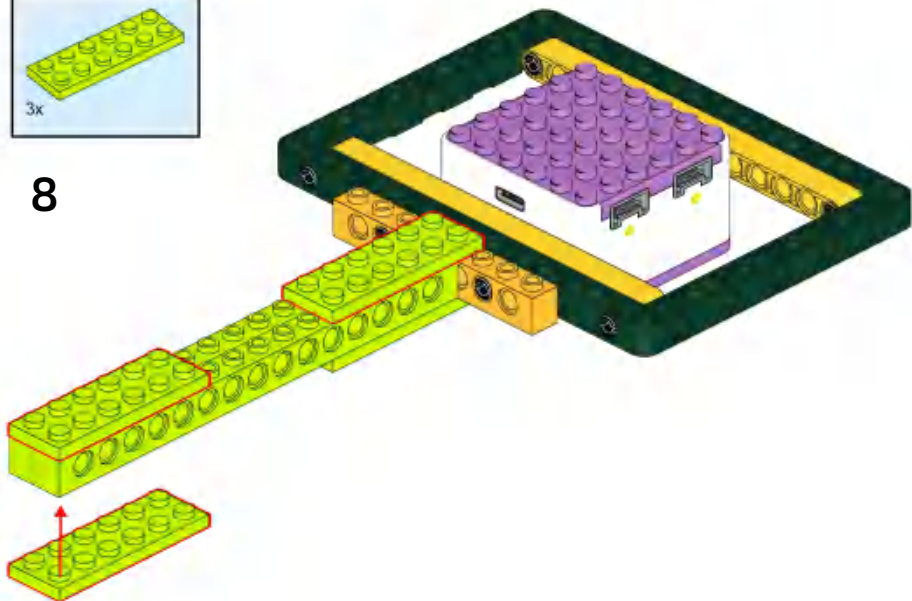


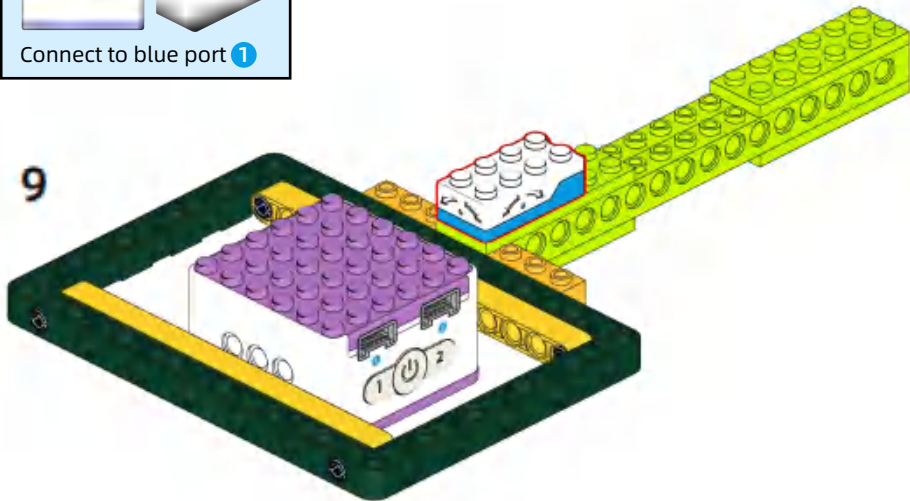
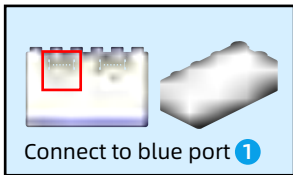
7



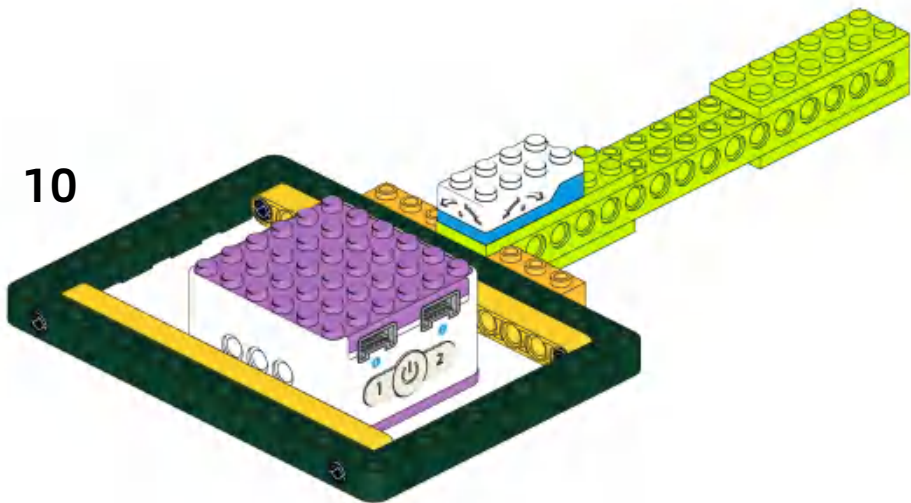


8





10



Ensure Bluetooth is Connected Properly



Program for fishing tool. Controls movement in four directions.

Ensure Bluetooth is Connected Properly



Program for treasure movement.

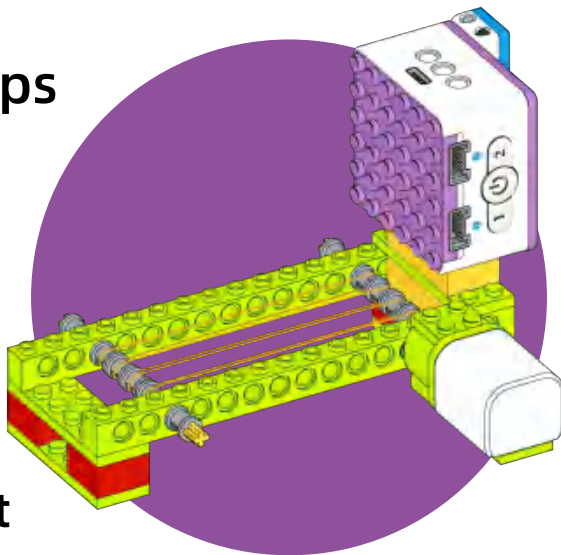
Ensure Bluetooth is Connected Properly



Program for treasure movement.

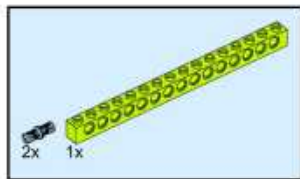
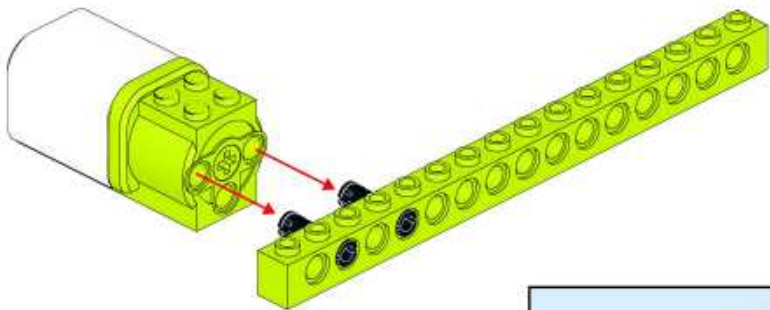
ICQBot

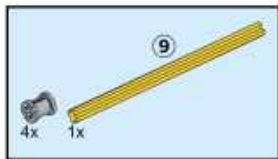
Building Steps



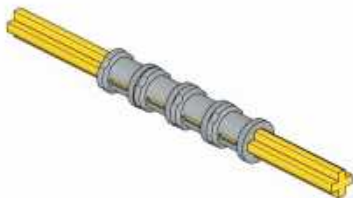
Conveyor Belt

1

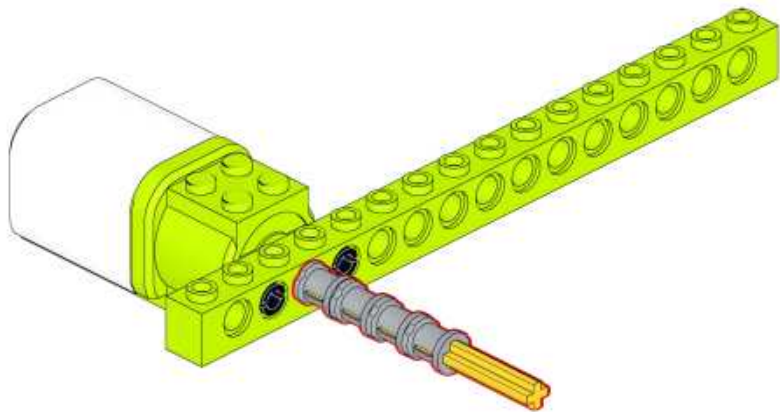


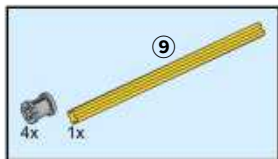


2

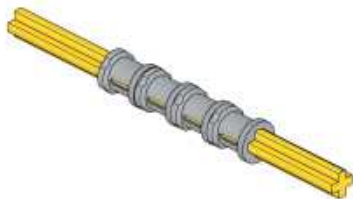


3



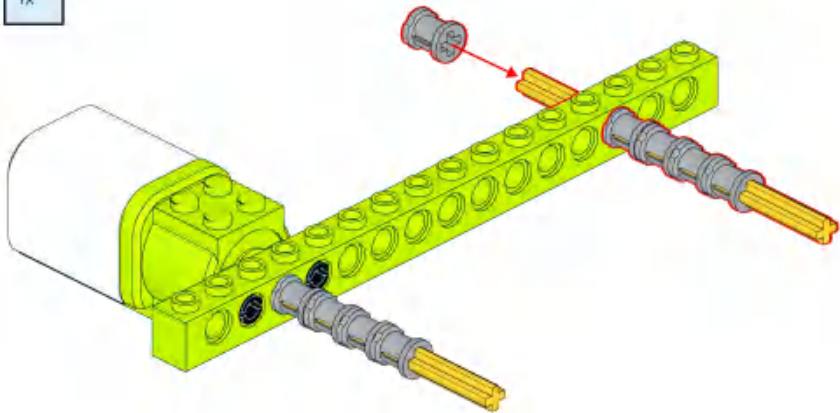


4

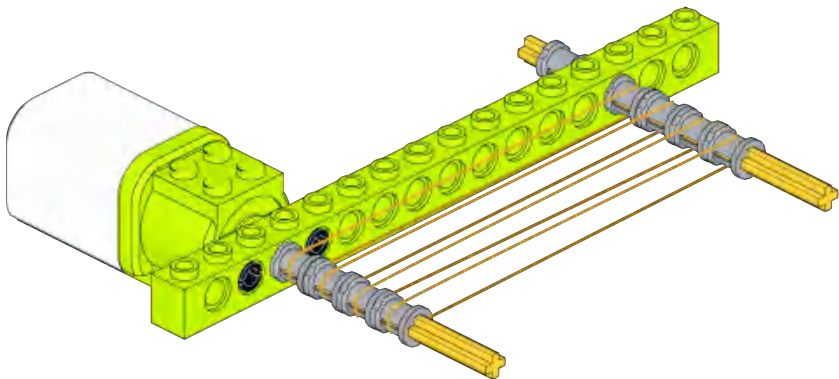




5

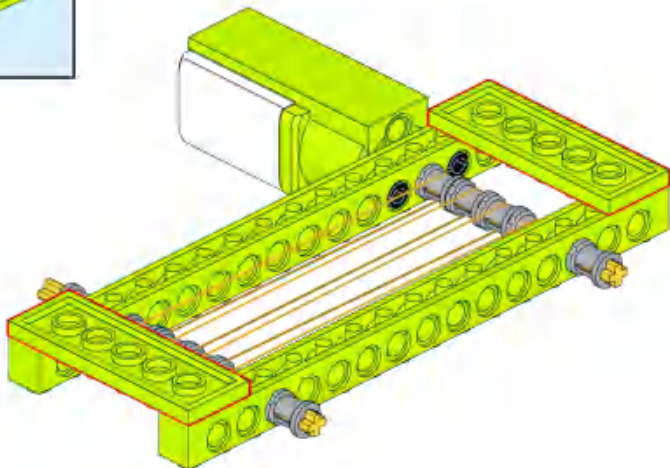


6



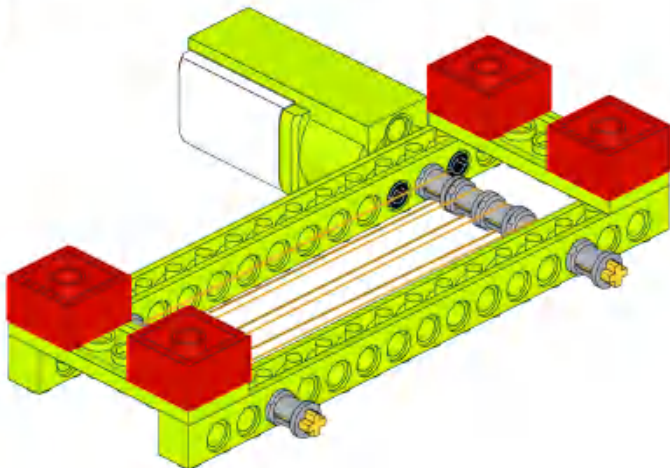


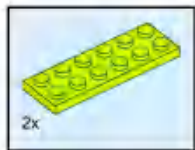
8



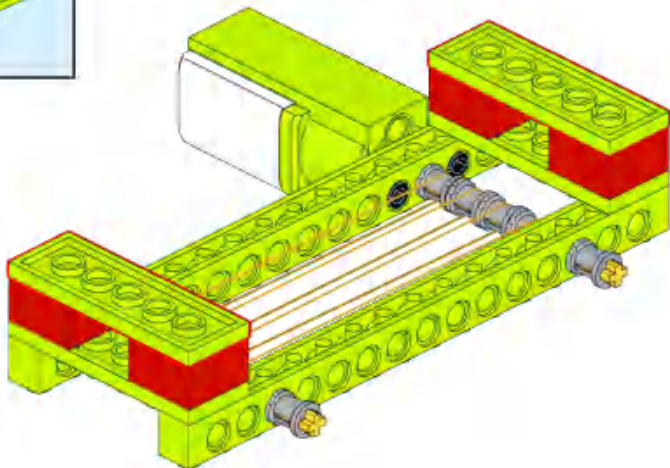


9



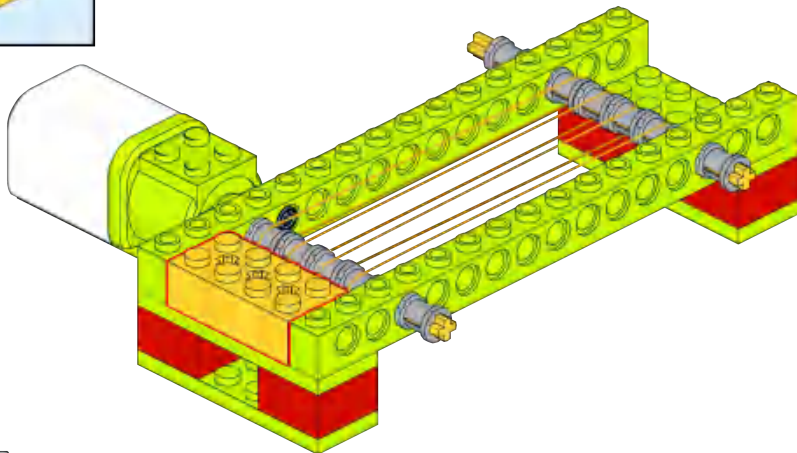


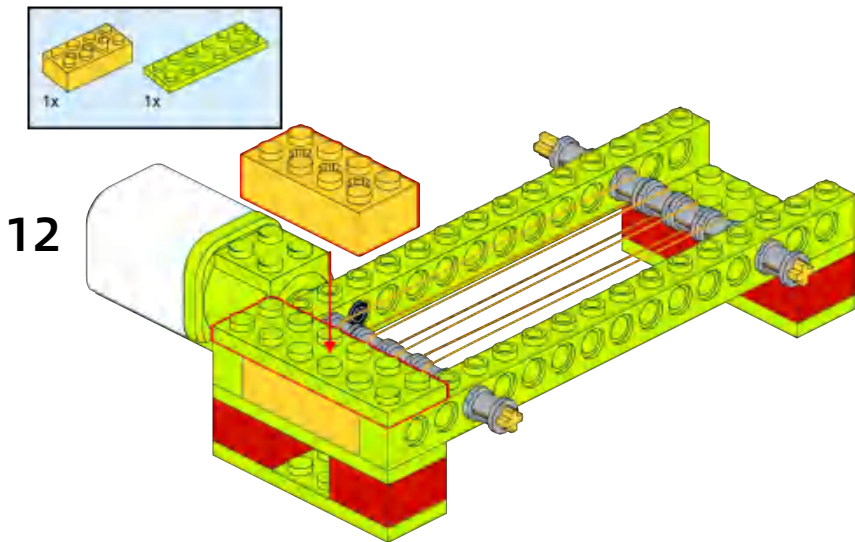
10





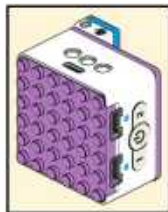
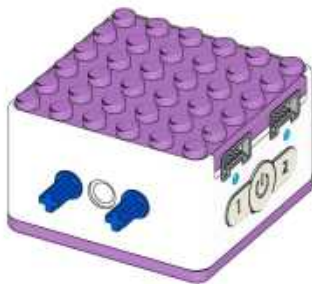
11

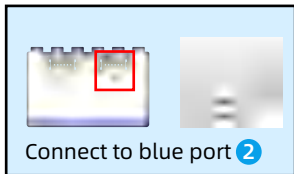






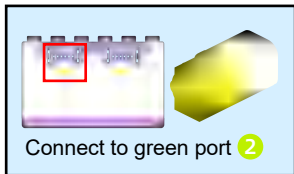
13



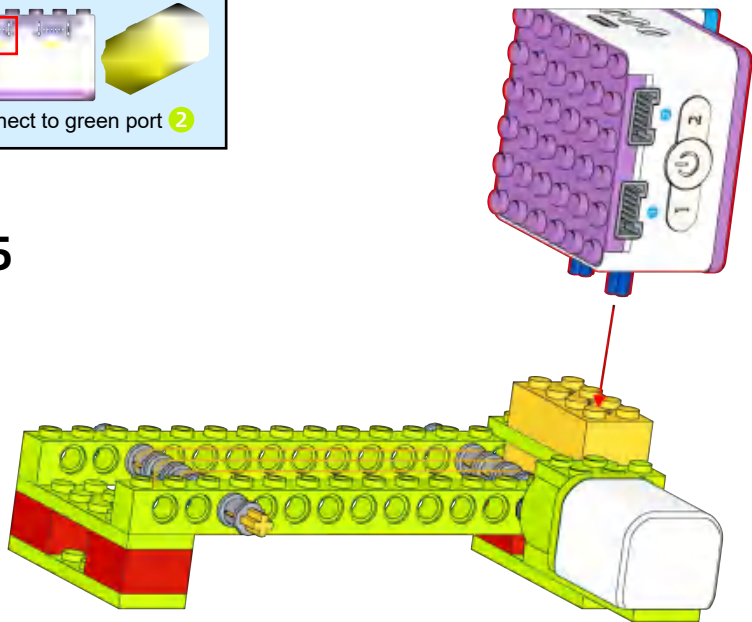


14

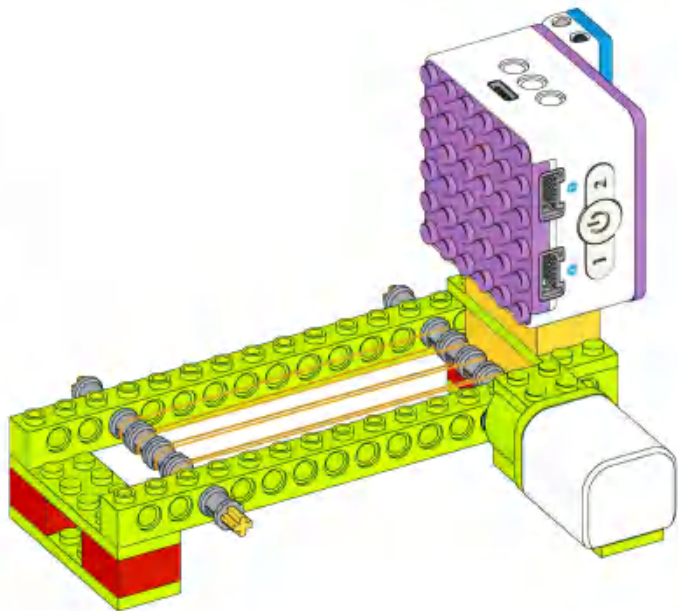




15

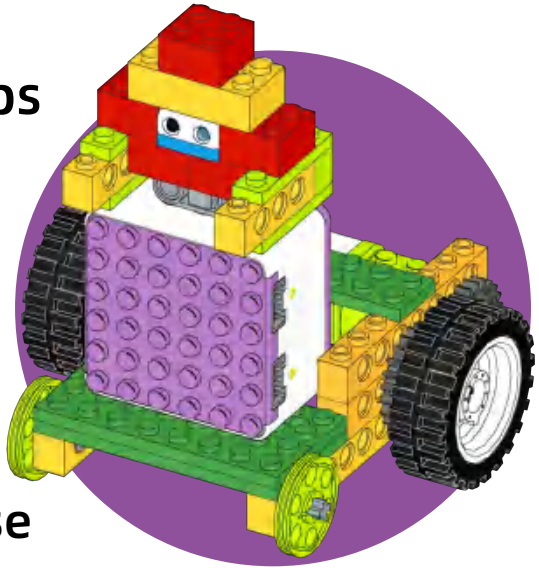


16

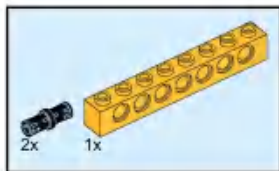
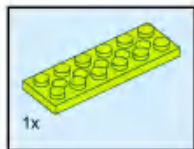


ICQBot

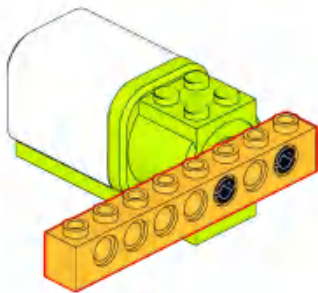
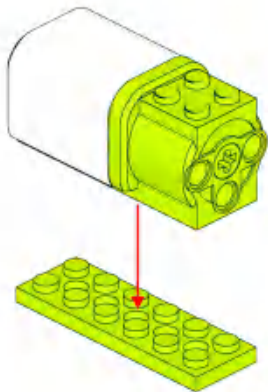
Building Steps

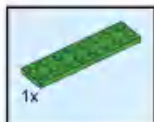
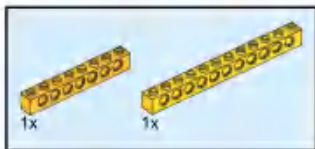


Jungle Traverse

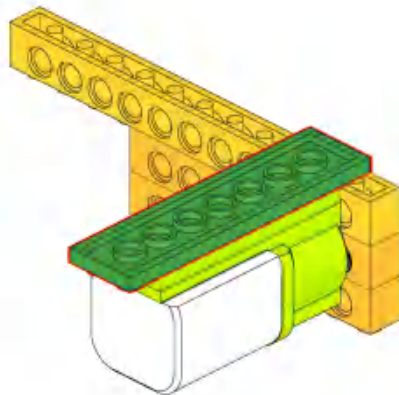
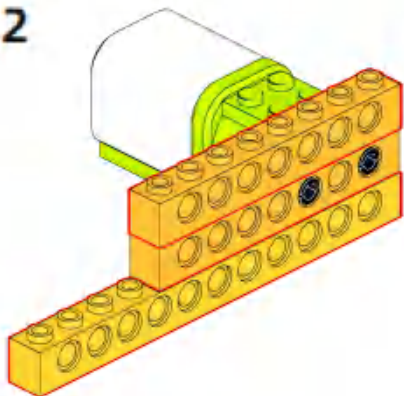


1

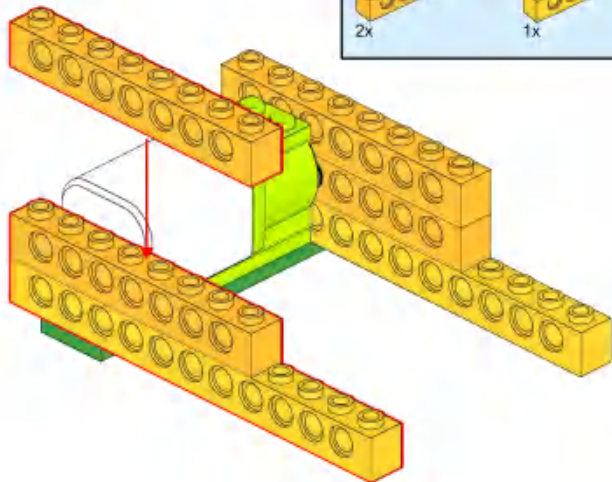


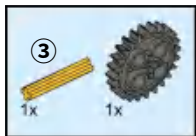


2

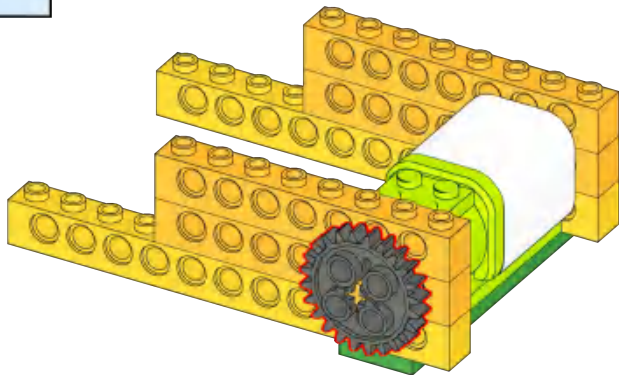


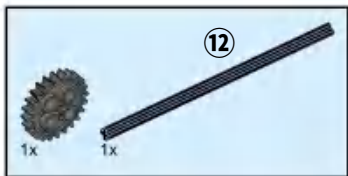
3



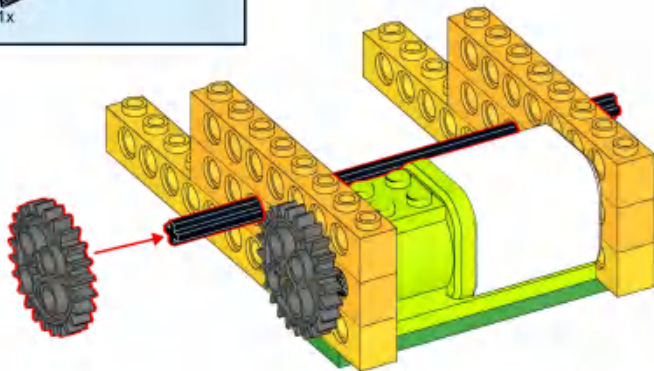


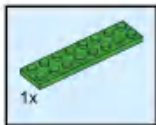
4



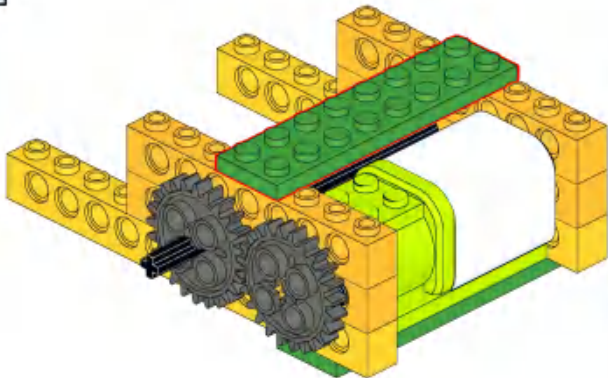


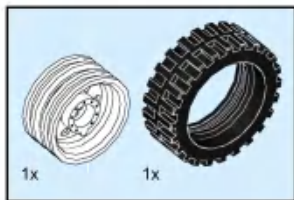
5





6

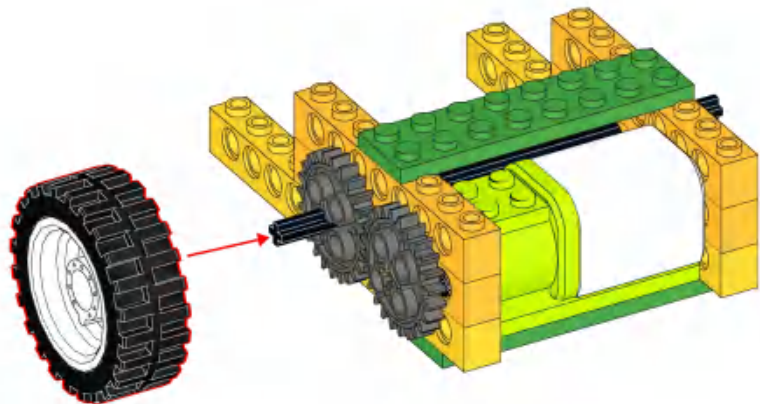


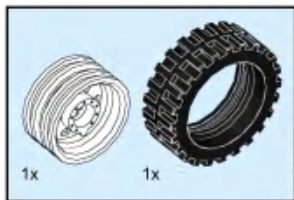


7



8



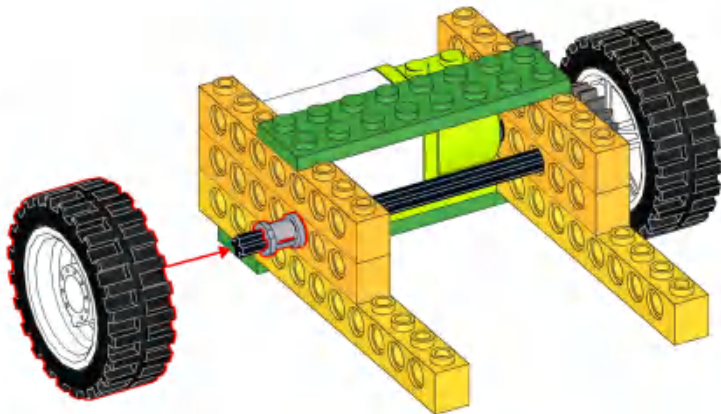


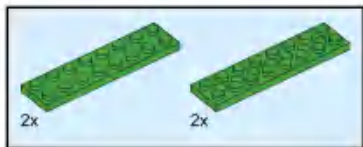
9



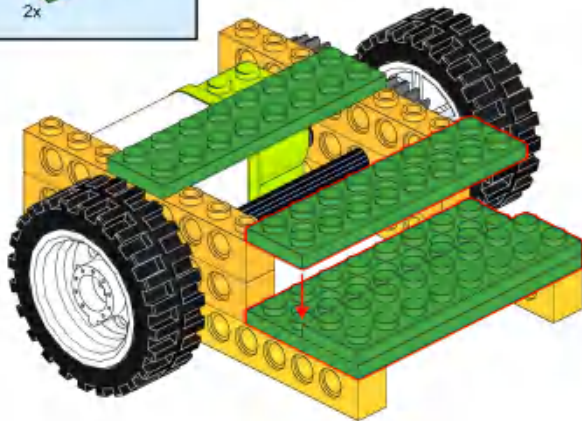


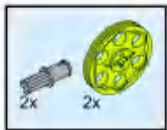
10



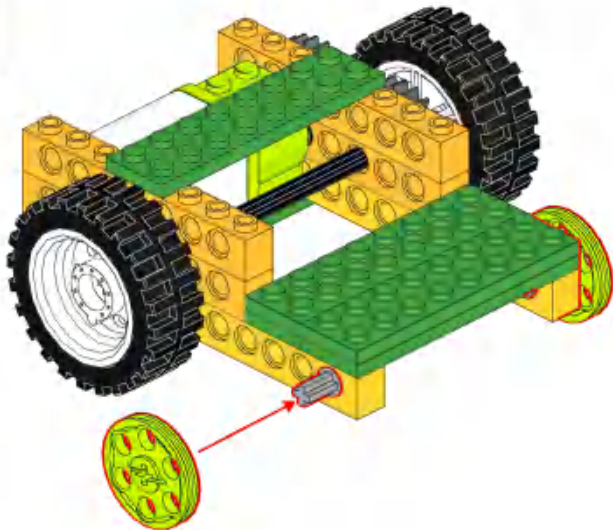


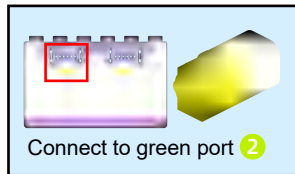
11



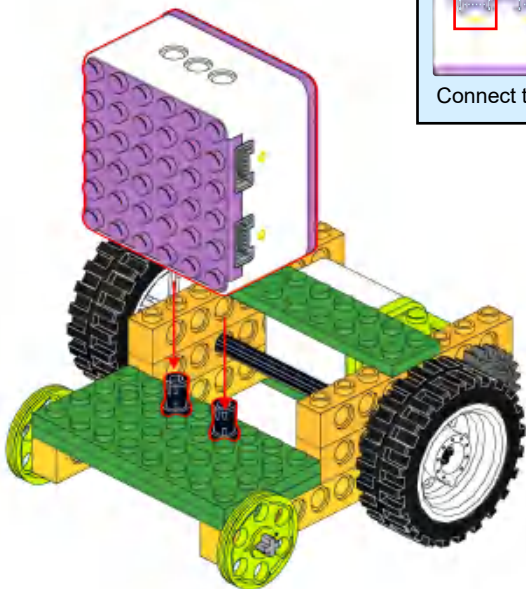


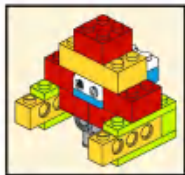
12



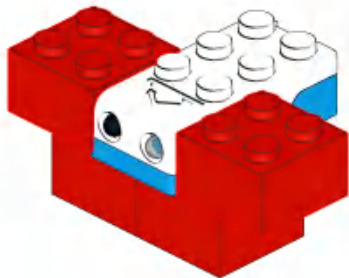
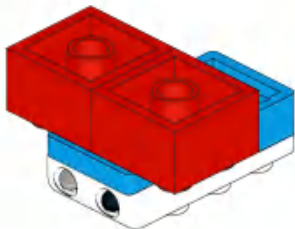


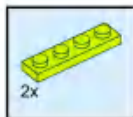
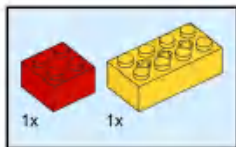
13



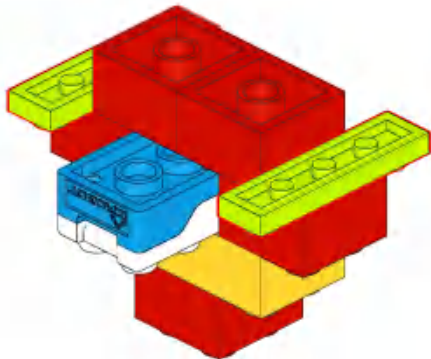
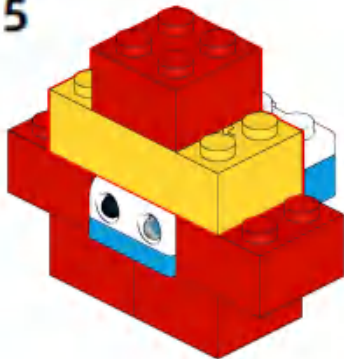


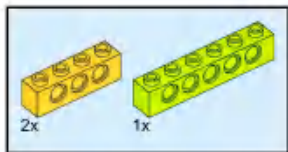
14



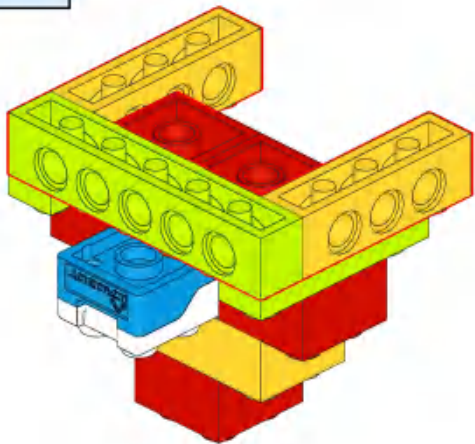


15



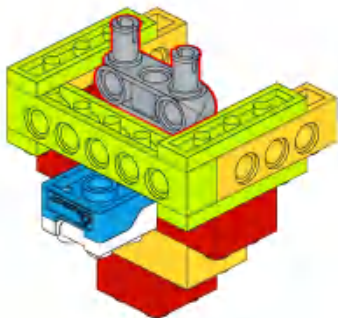
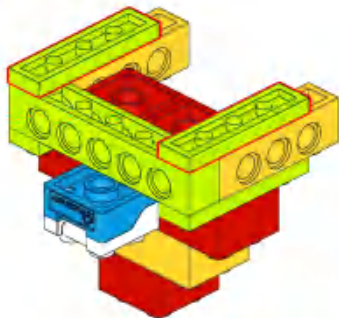


16

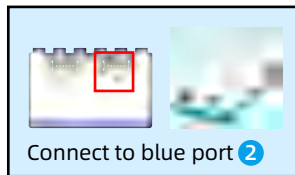
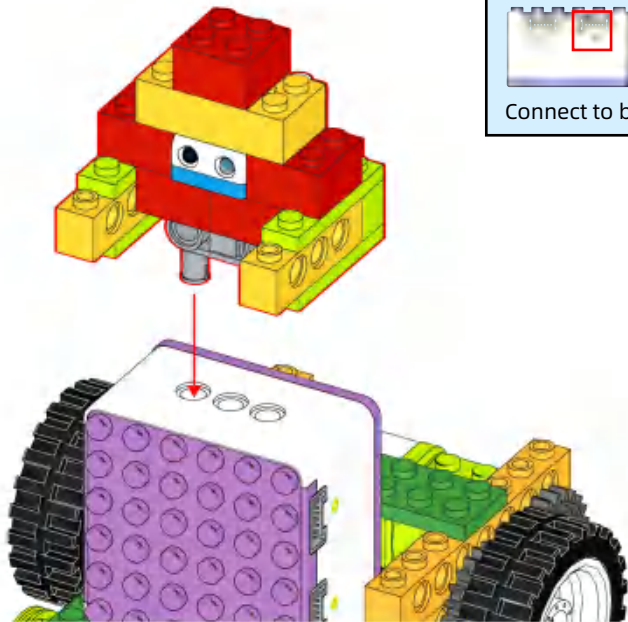




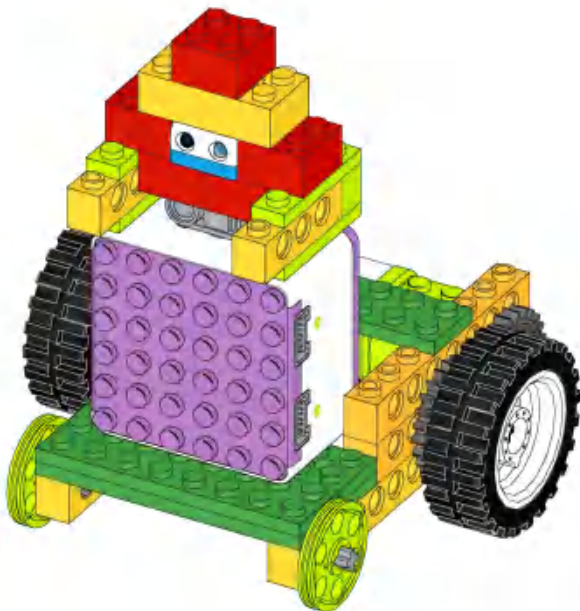
17



18



19



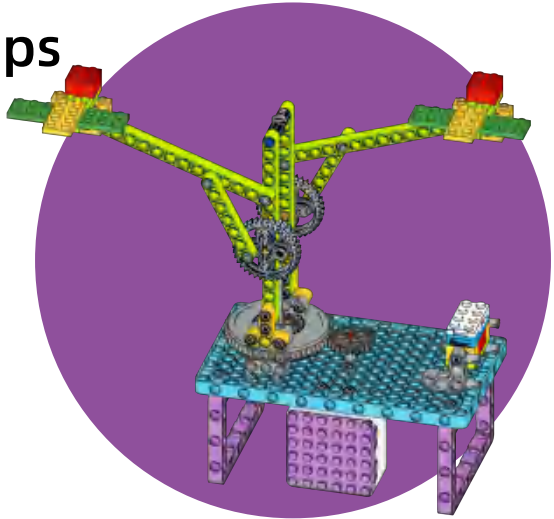
Ensure Bluetooth is Connected Properly



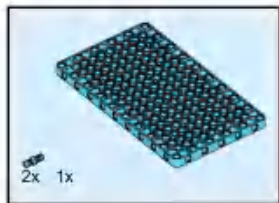
Object approaches the distance sensor, the robot stops,
and move away from the distance sensor, the robot goes forward.

ICQBot

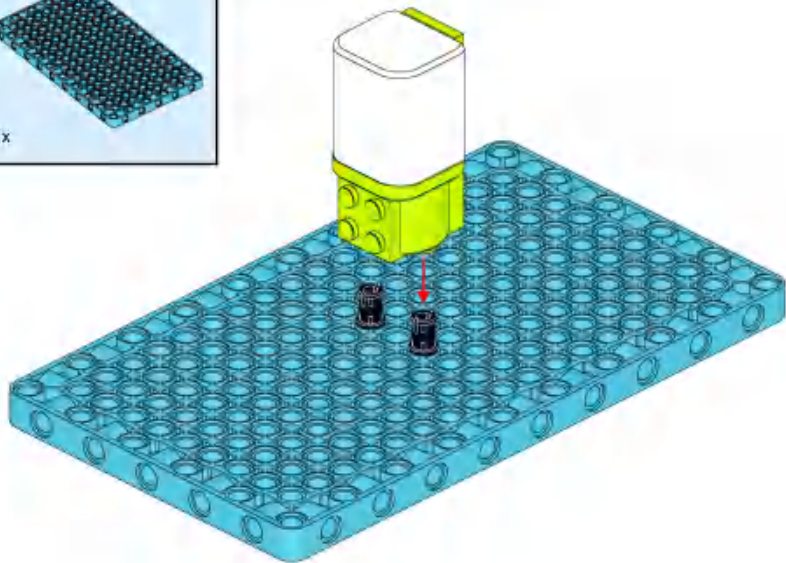
Building Steps

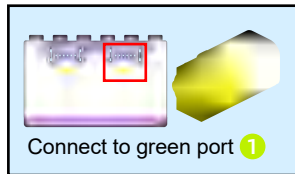


Flying Party

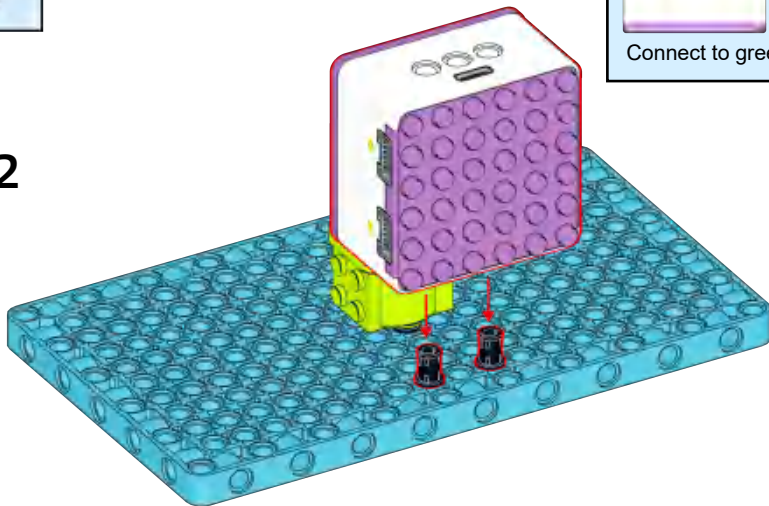


1



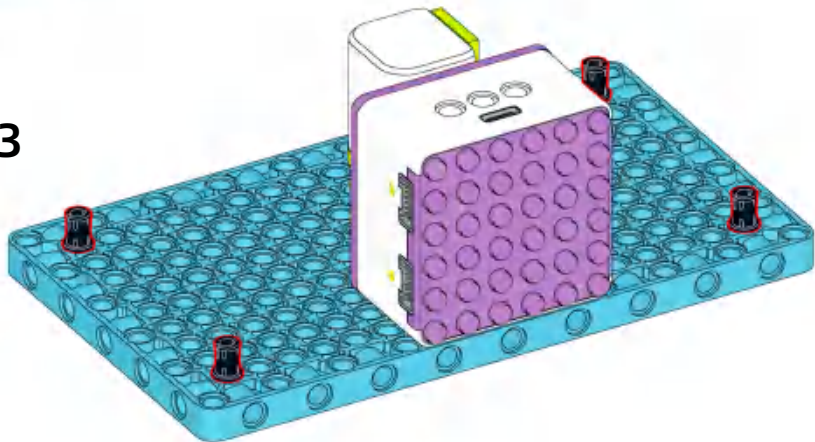


2

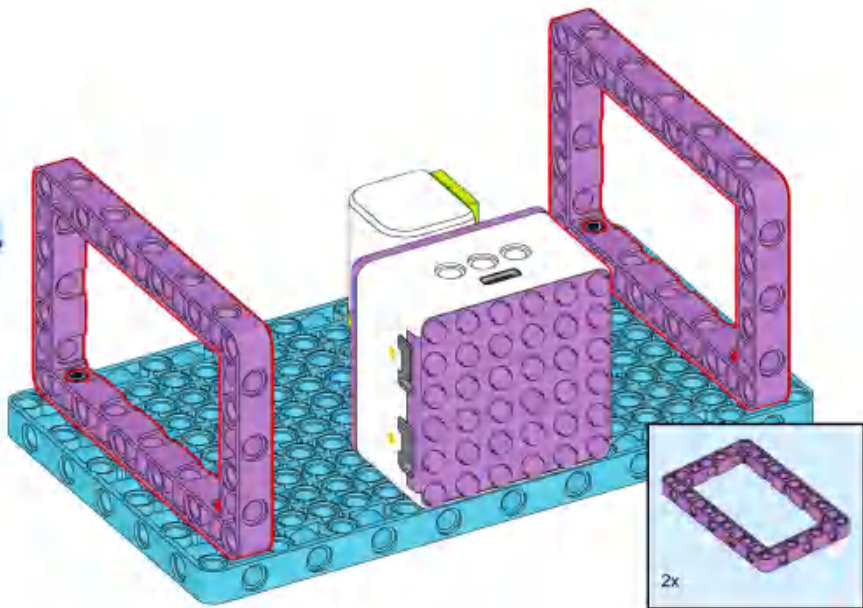




3

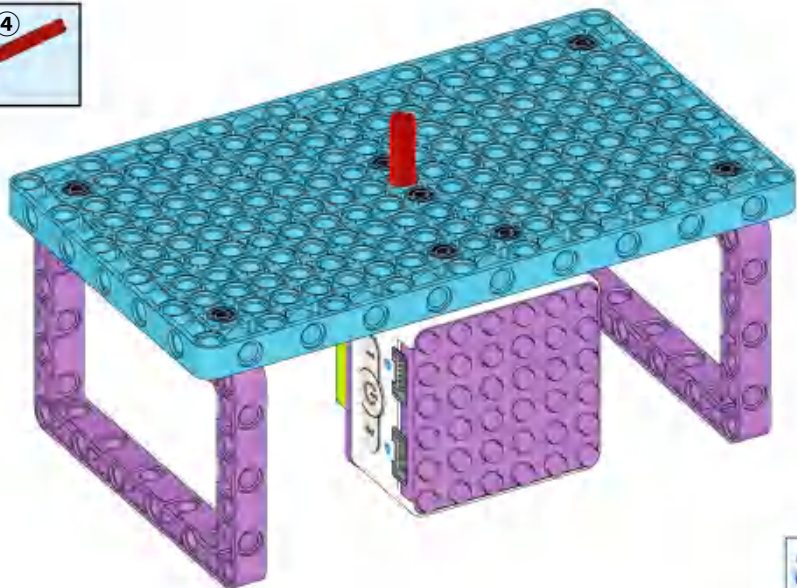


4

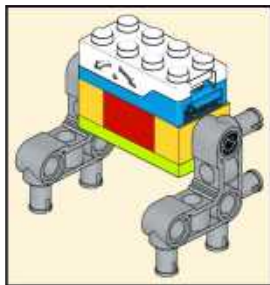
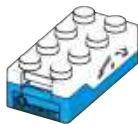


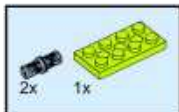
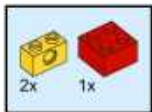


5

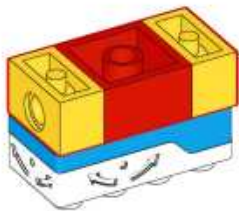


6



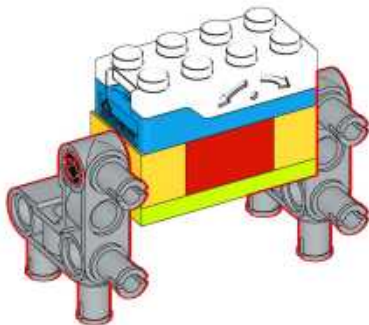


7

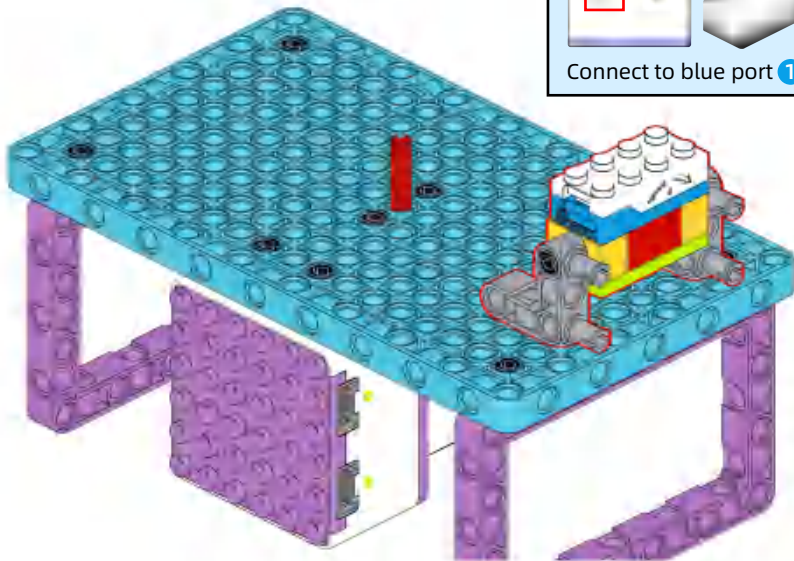




8

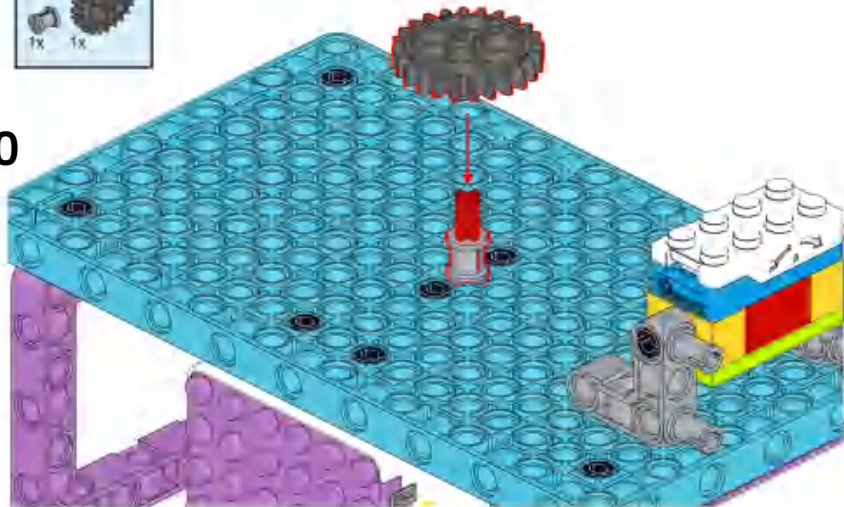


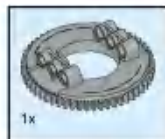
9



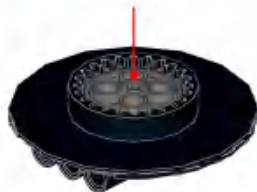
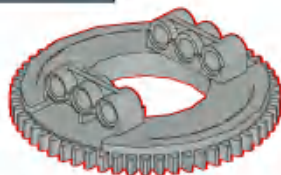
Connect to blue port 1

10

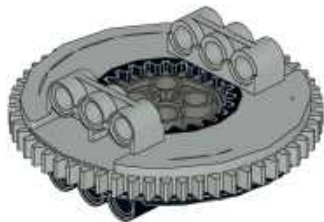




11

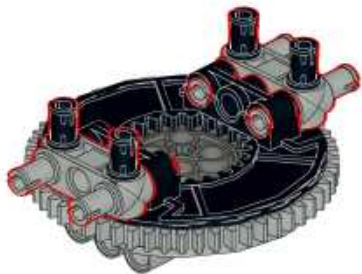


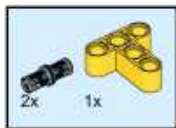
12



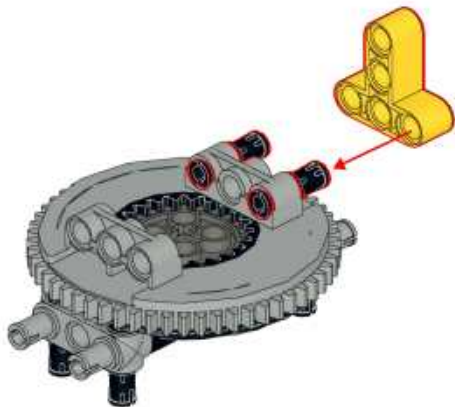


13





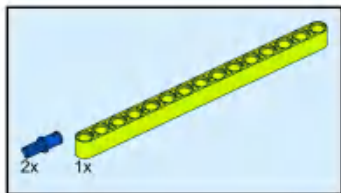
14



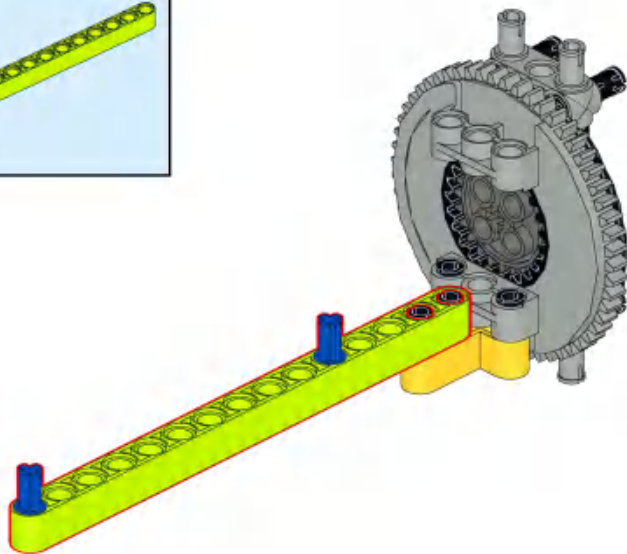


15



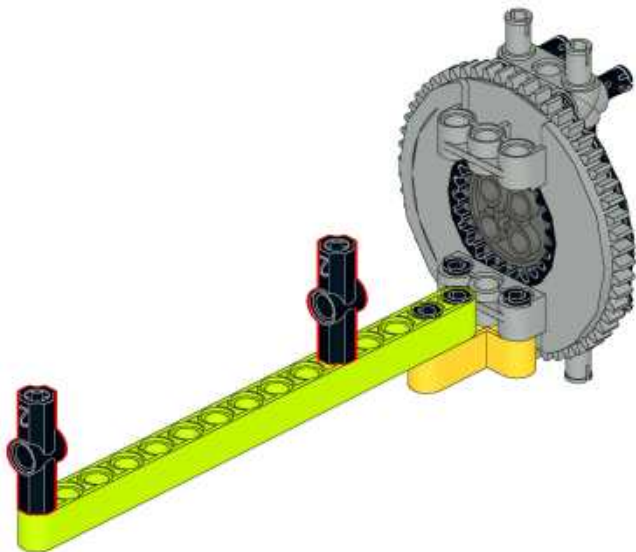


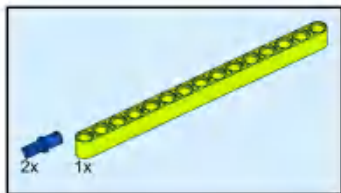
16



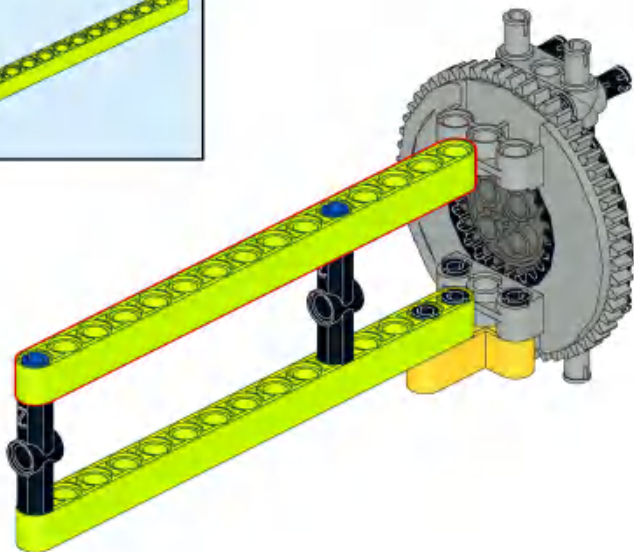


17



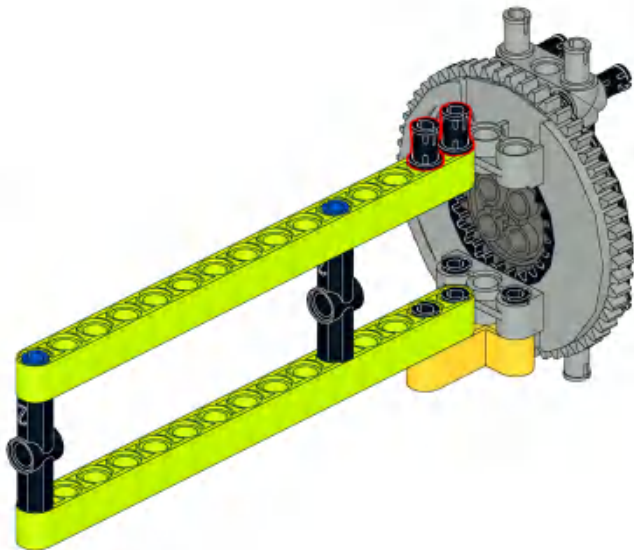


18

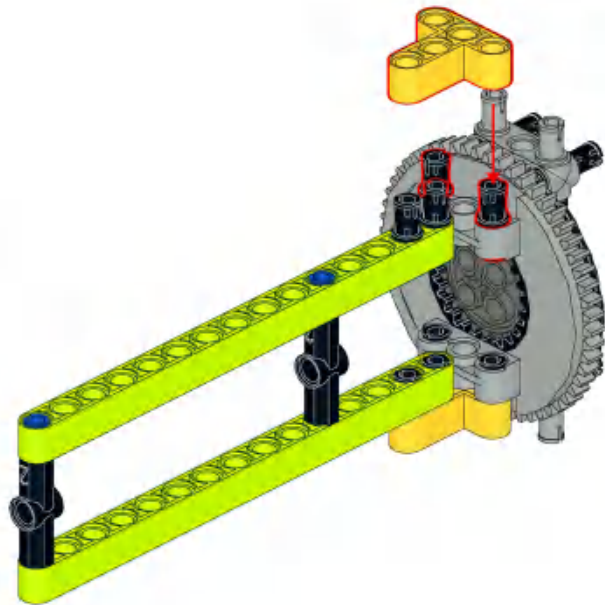


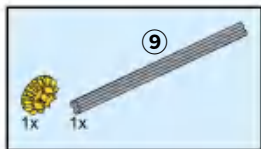


19

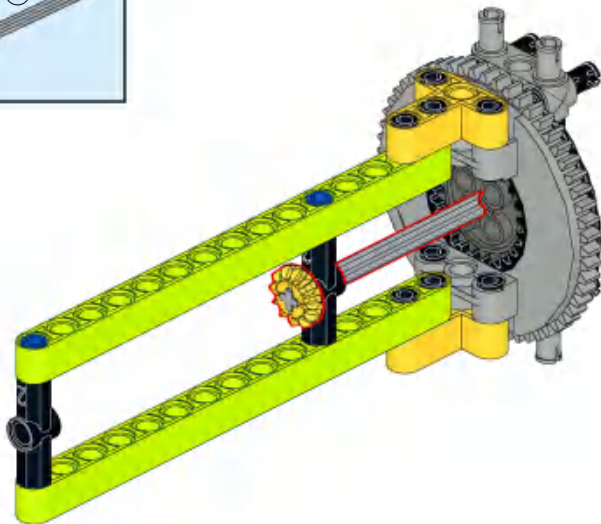


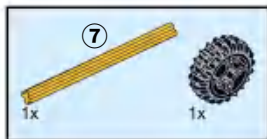
20



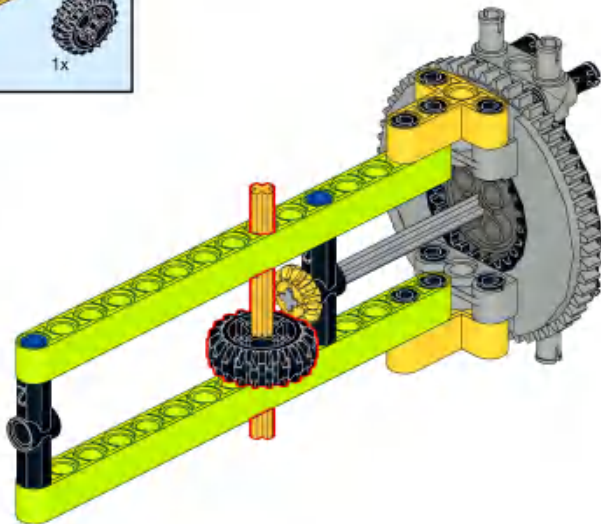


21



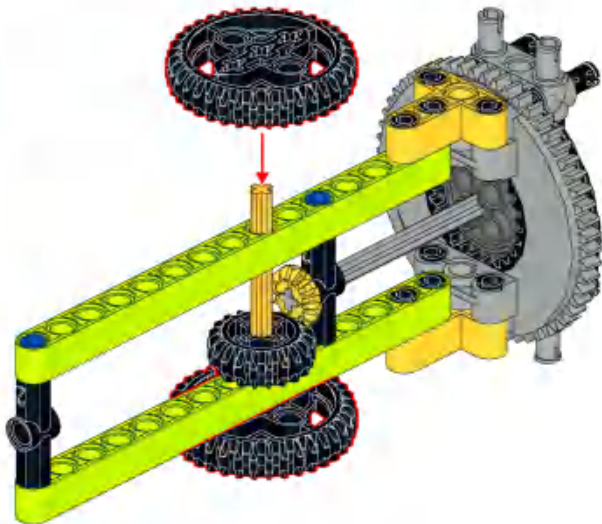


22

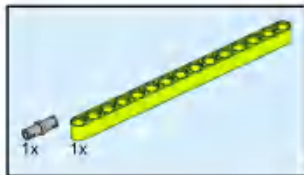
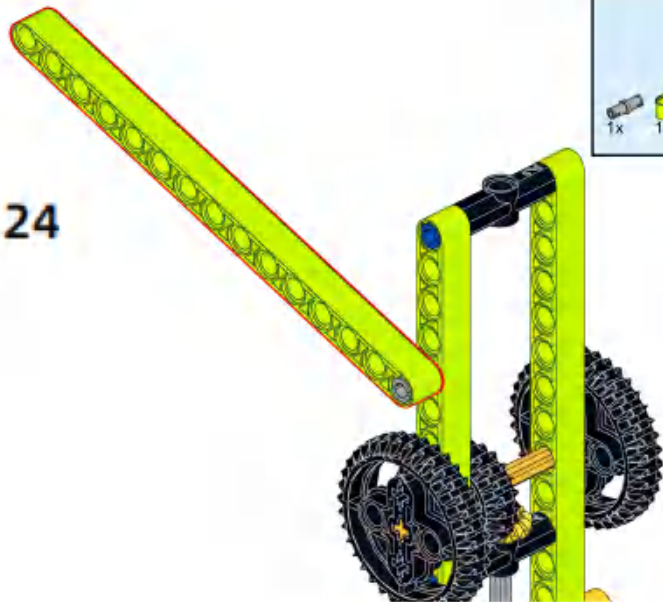




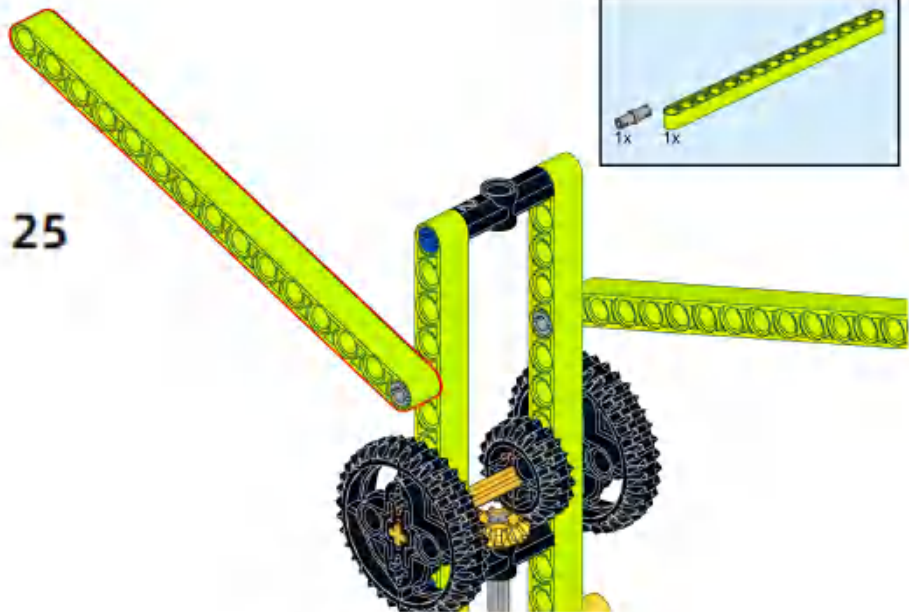
23



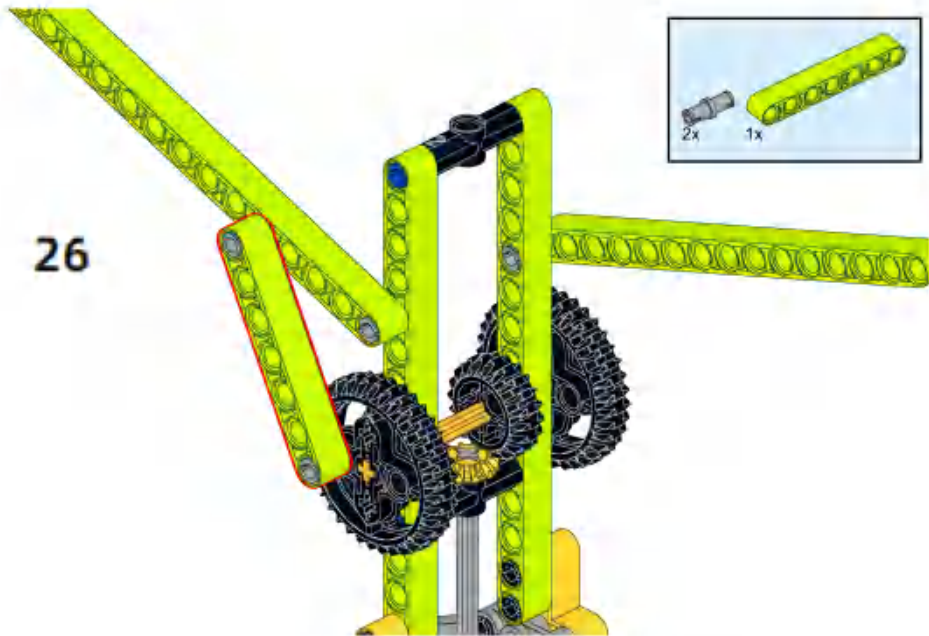
24

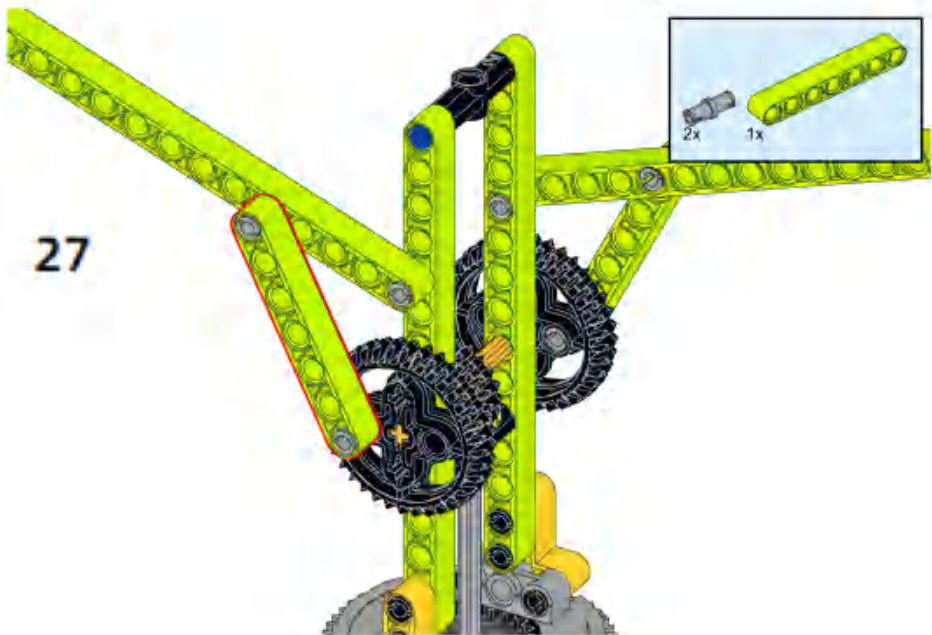


25



26





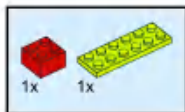
27

28

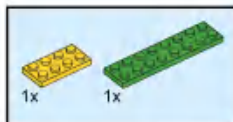


29

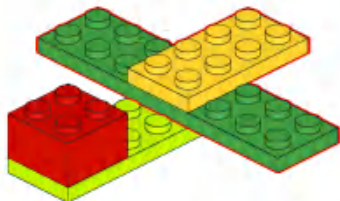
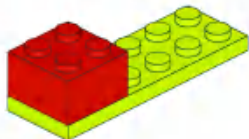




2x



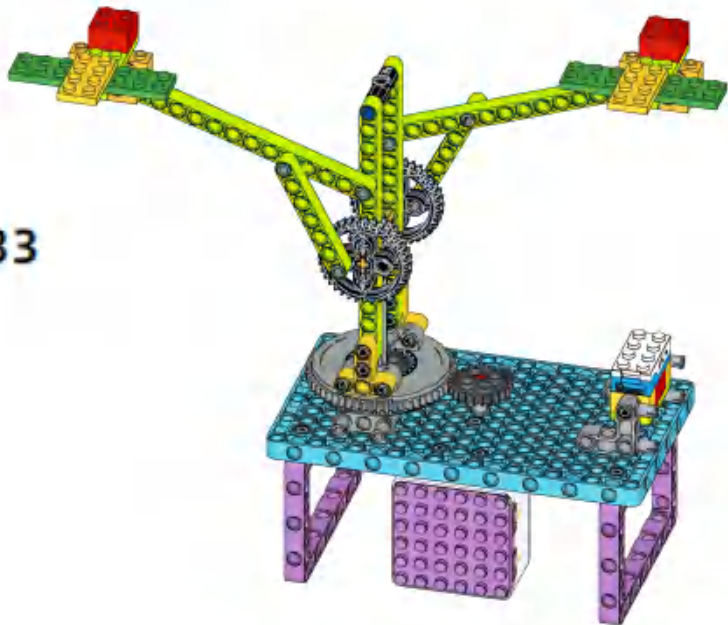
30



31



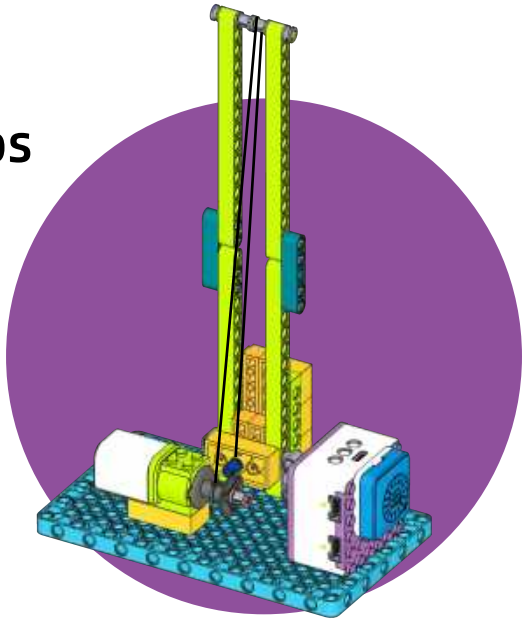
33

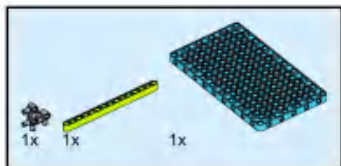


ICQBot

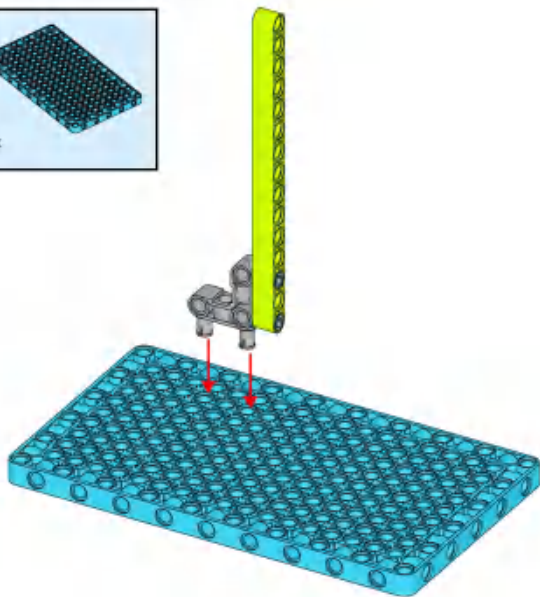
Building Steps

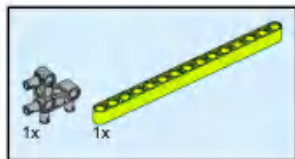
Rocket



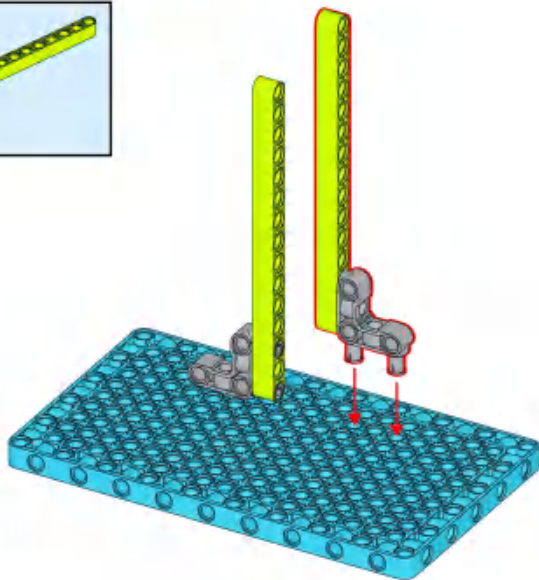


1



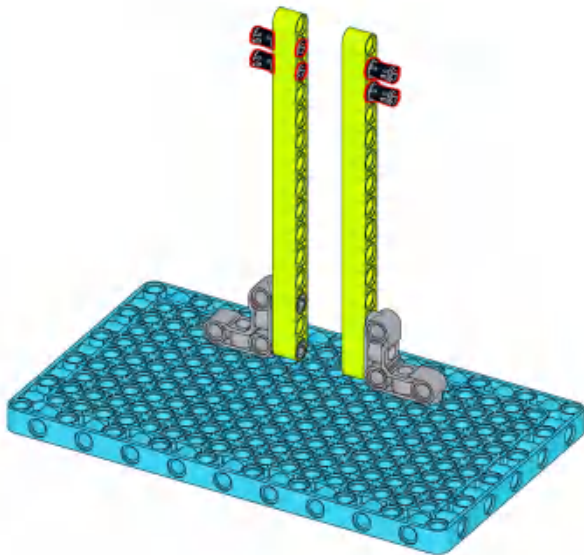


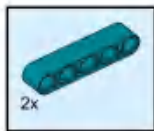
2



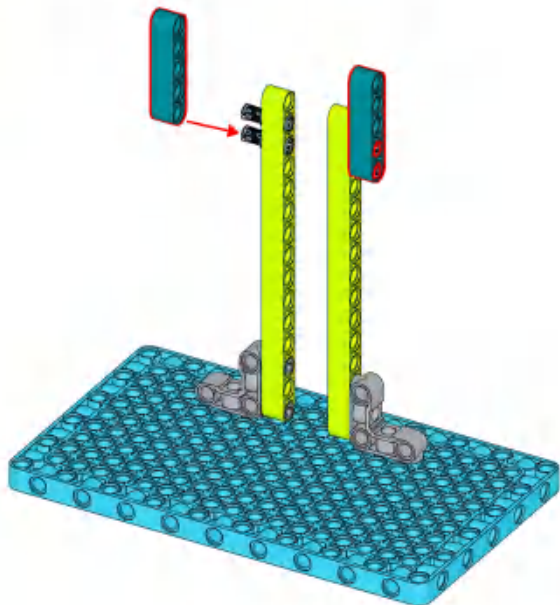


3



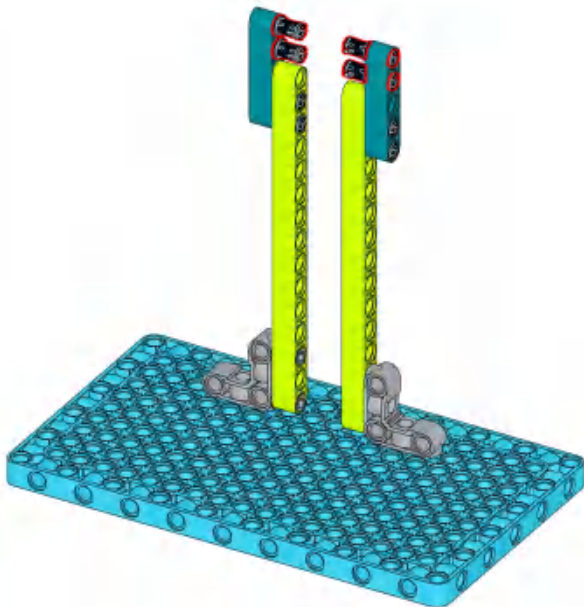


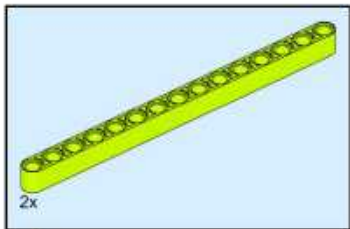
4



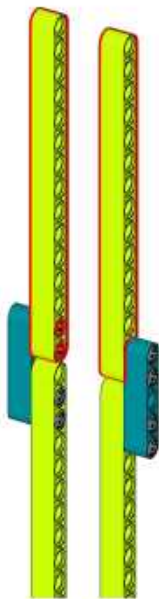


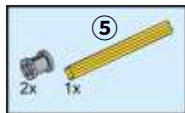
5



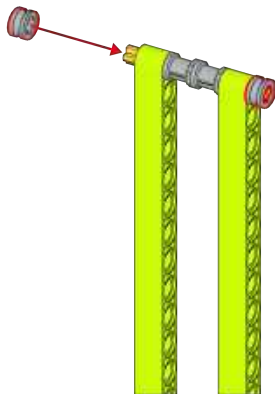
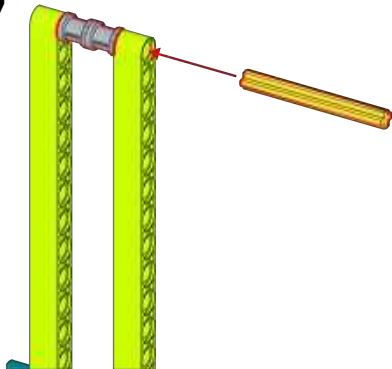


6

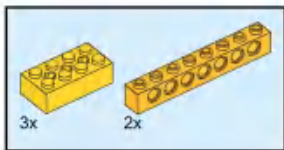
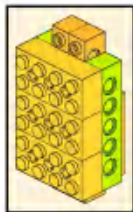
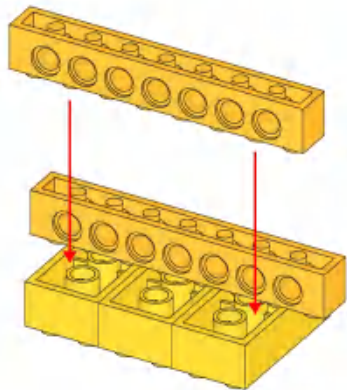


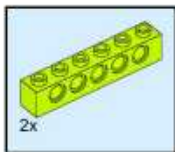


7

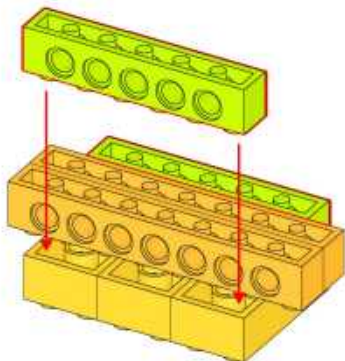


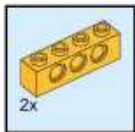
8



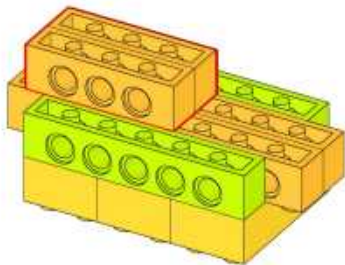


9

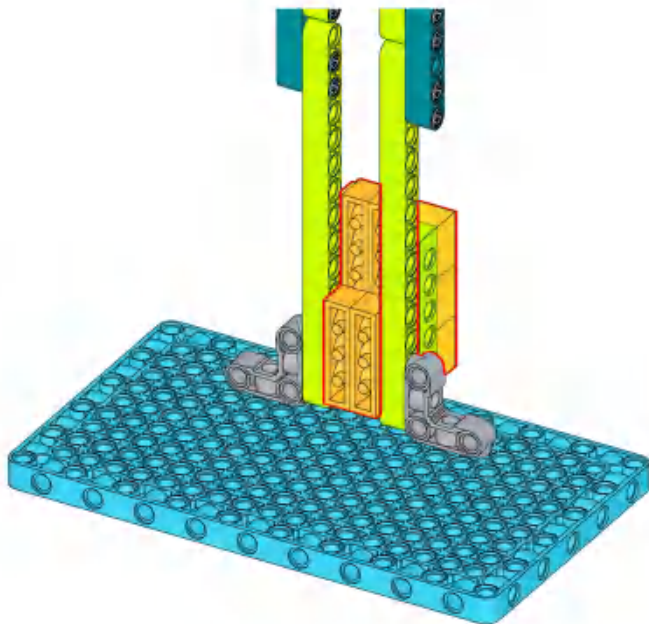




10

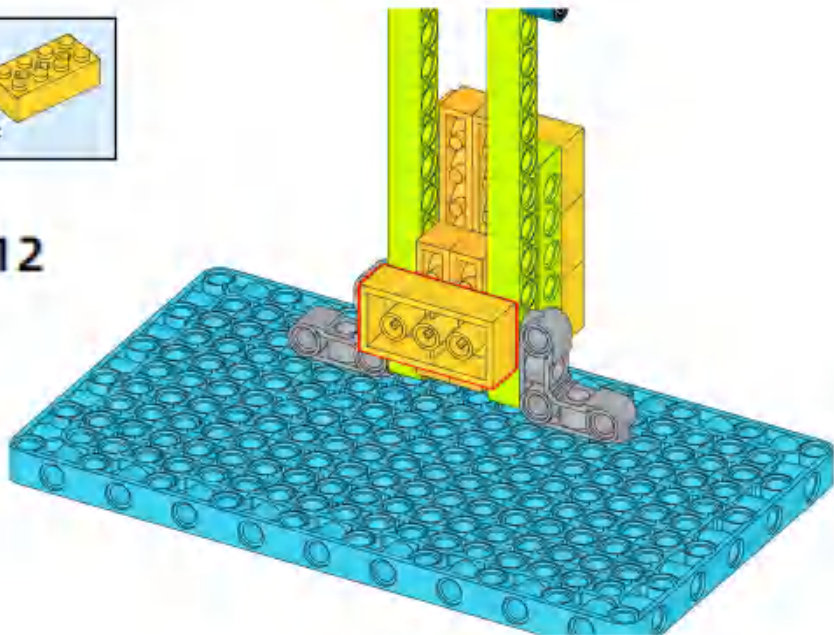


11



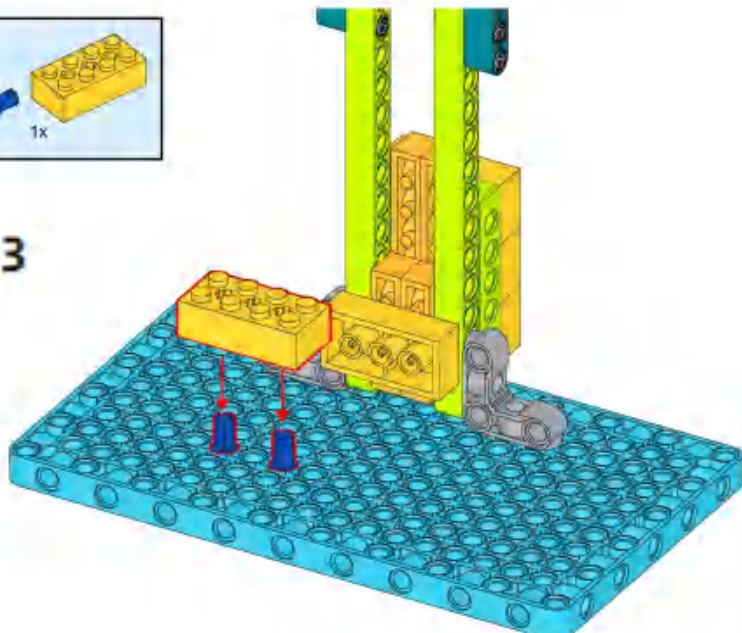


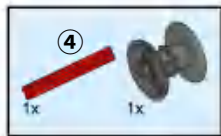
12



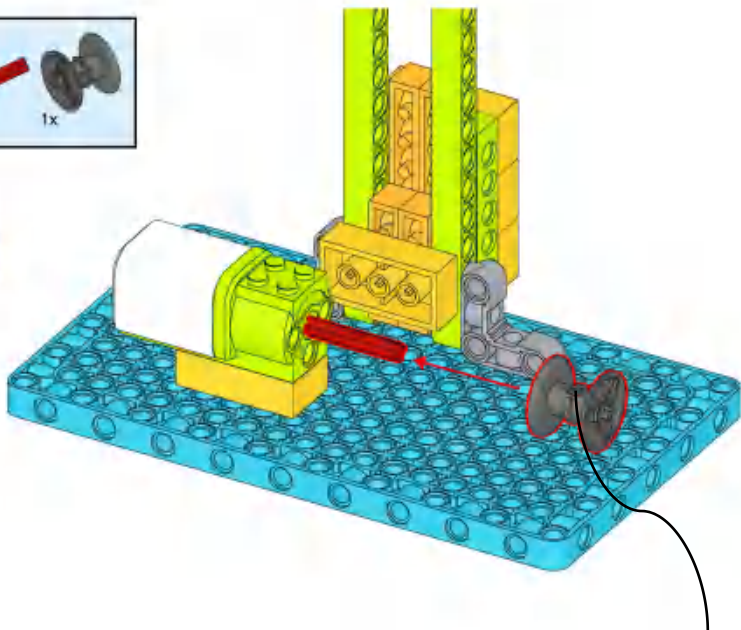


13



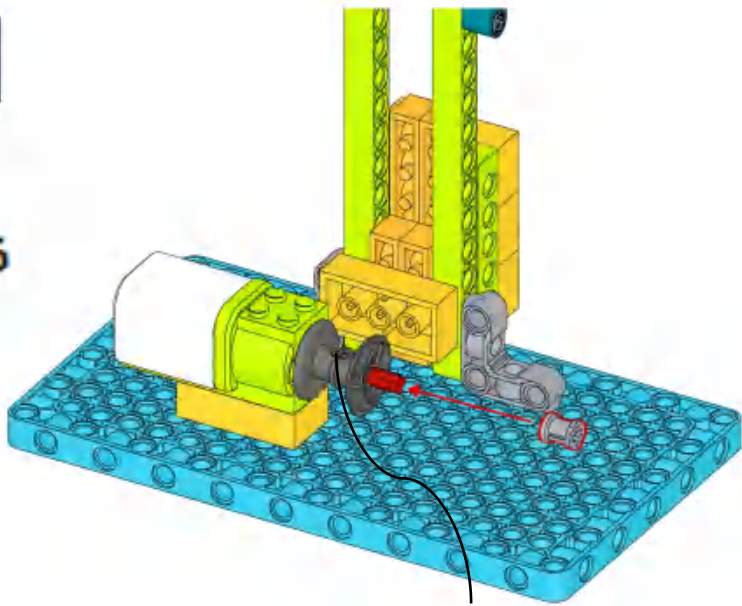


15



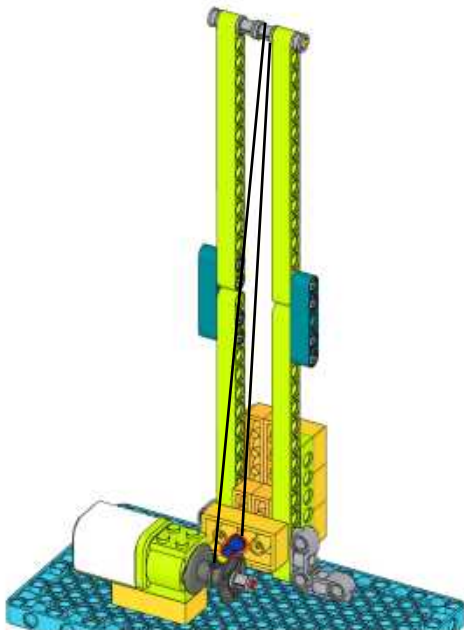


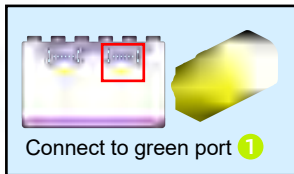
16



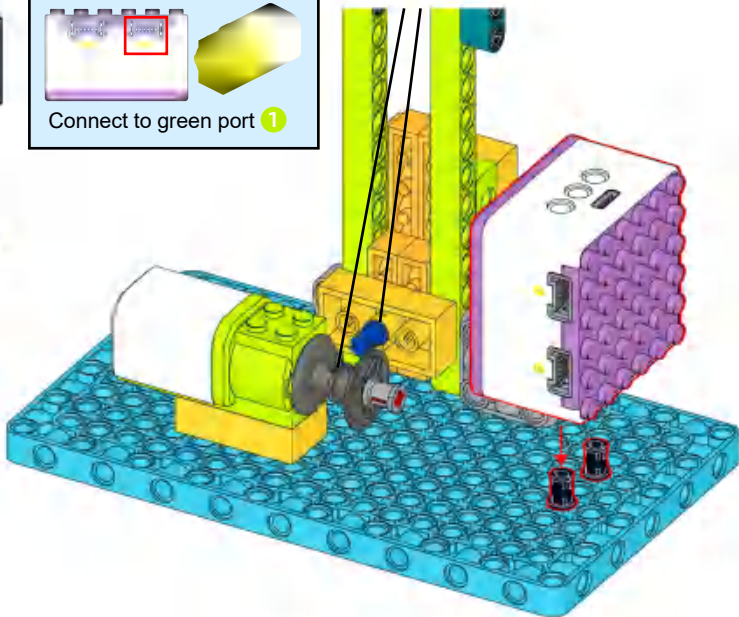


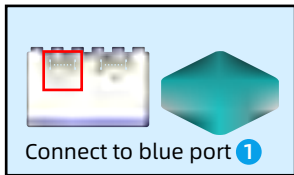
17



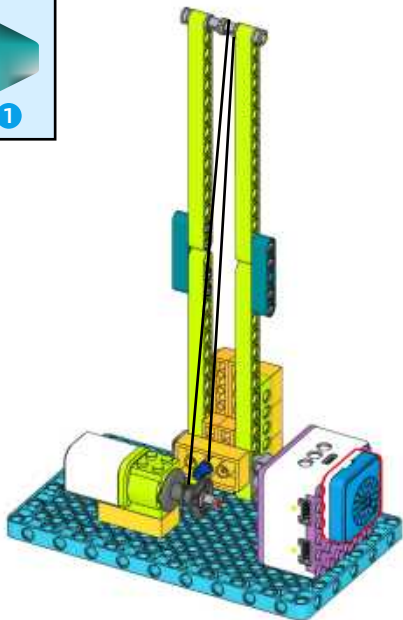


18

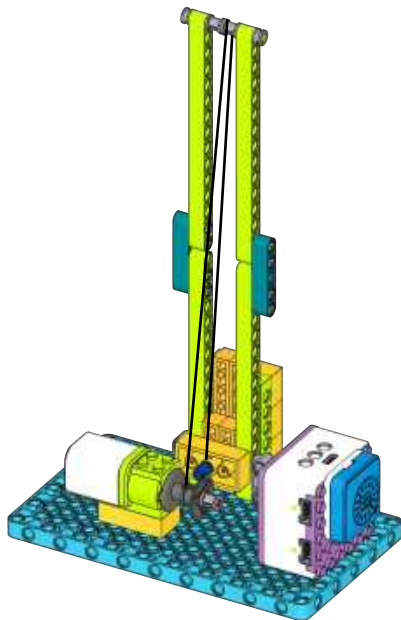




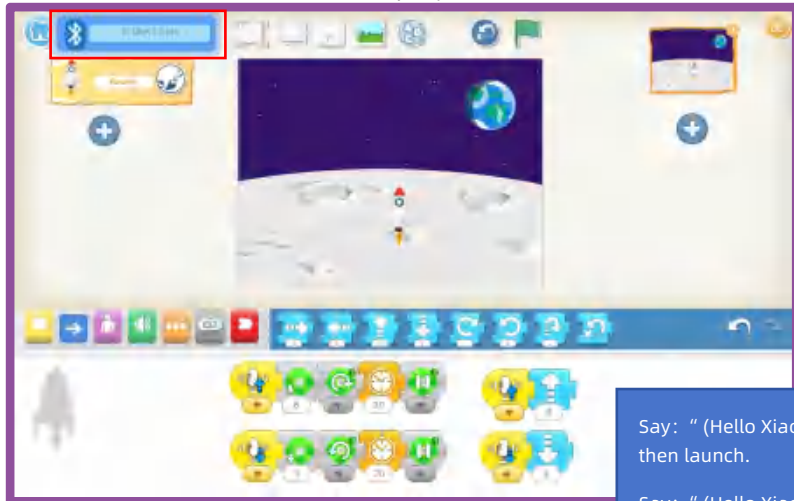
19



20



Ensure Bluetooth is Connected Properly



Say: " (Hello Xiao Q,) move up"
then launch.

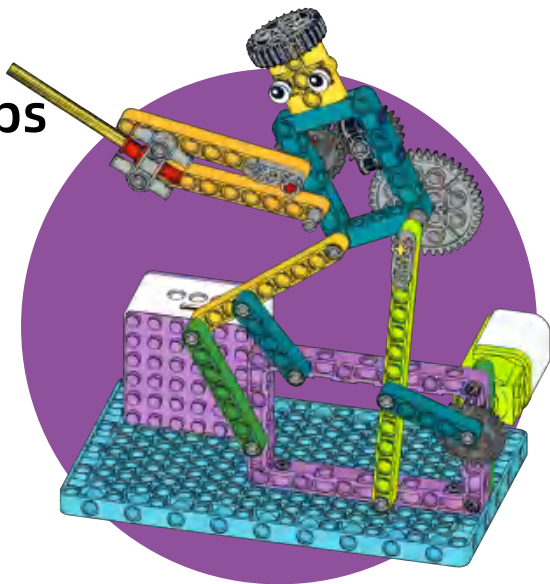
Say: " (Hello Xiao Q,)
move down" , then landing.

Say: "Hello, Xiao Q" to wake up.

(If it has been woken up, the "Hello, Xiao Q" command is unnecessary in a few seconds.)

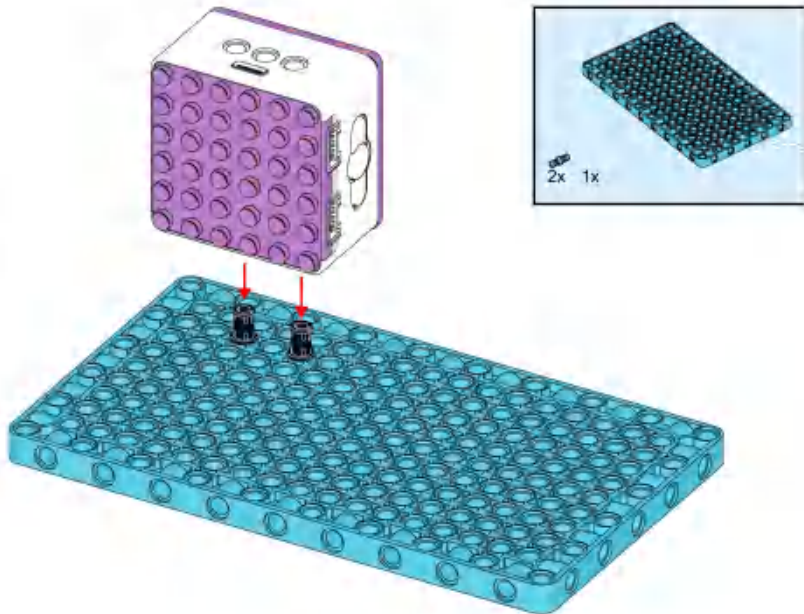
ICQBot

Building Steps

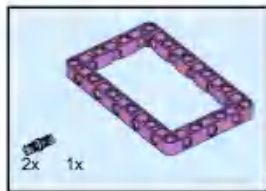
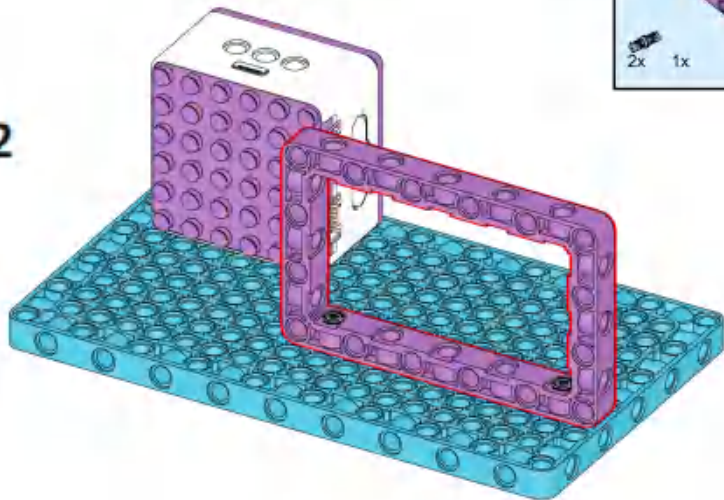


The Fencing Master

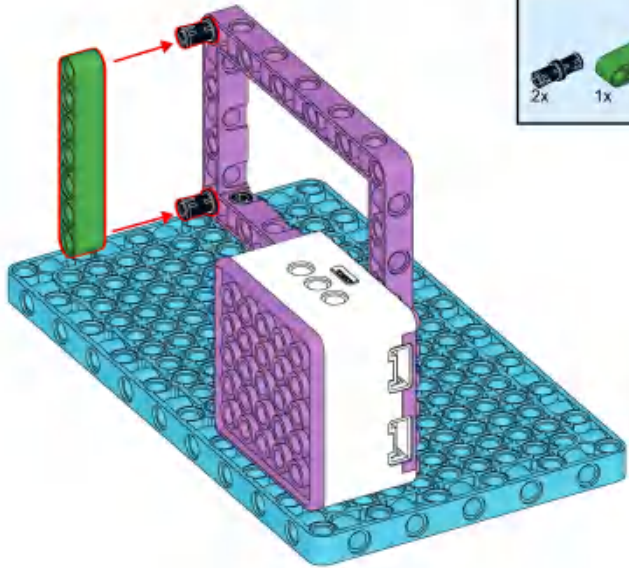
1



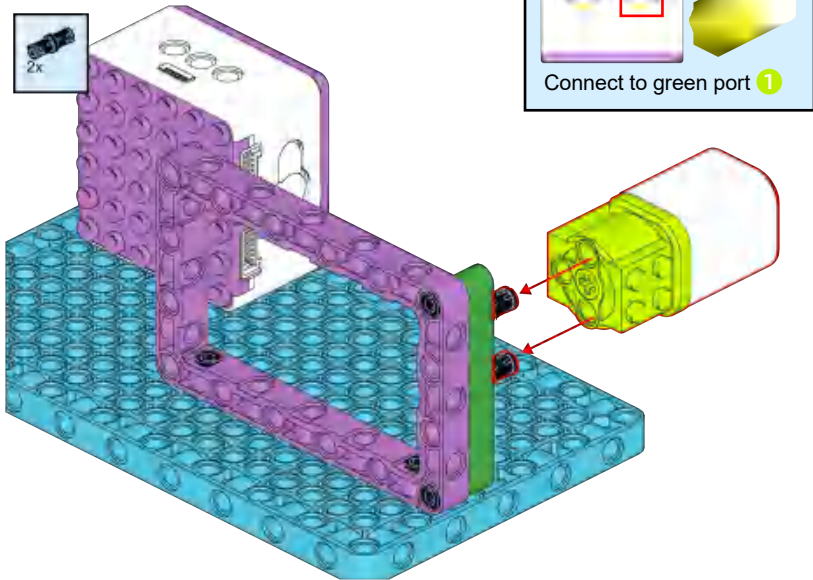
2



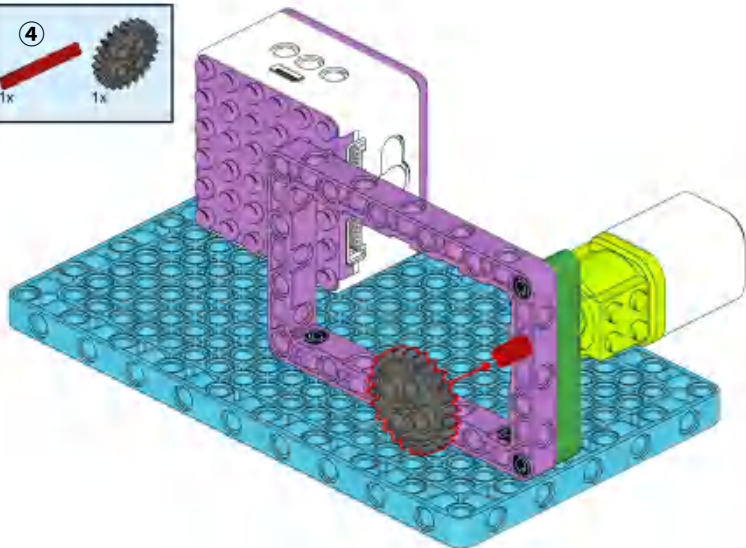
3



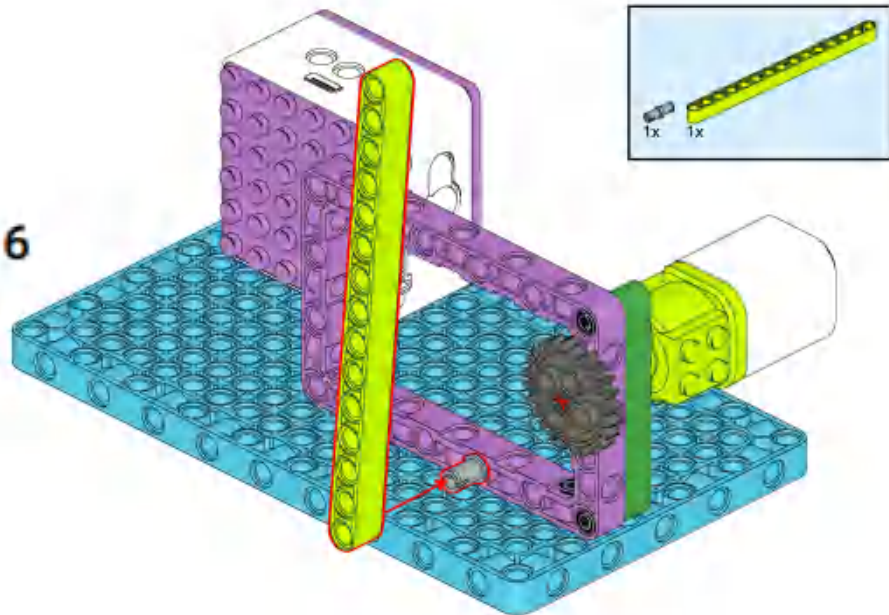
4



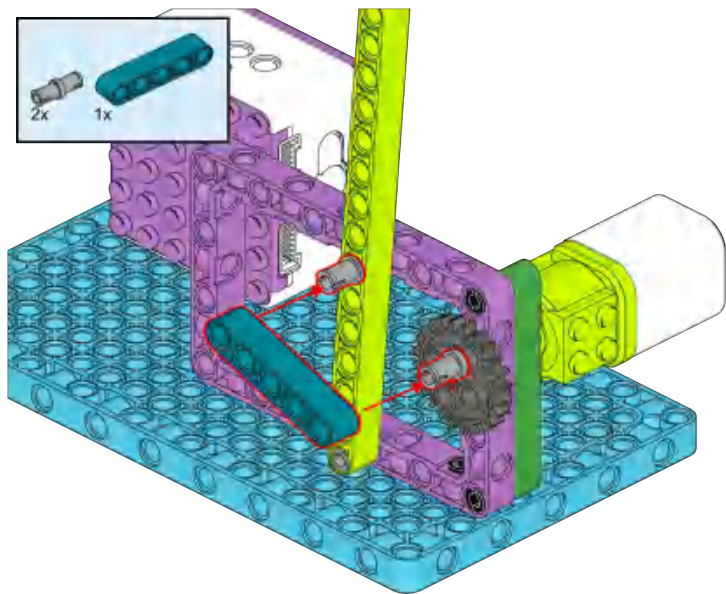
5



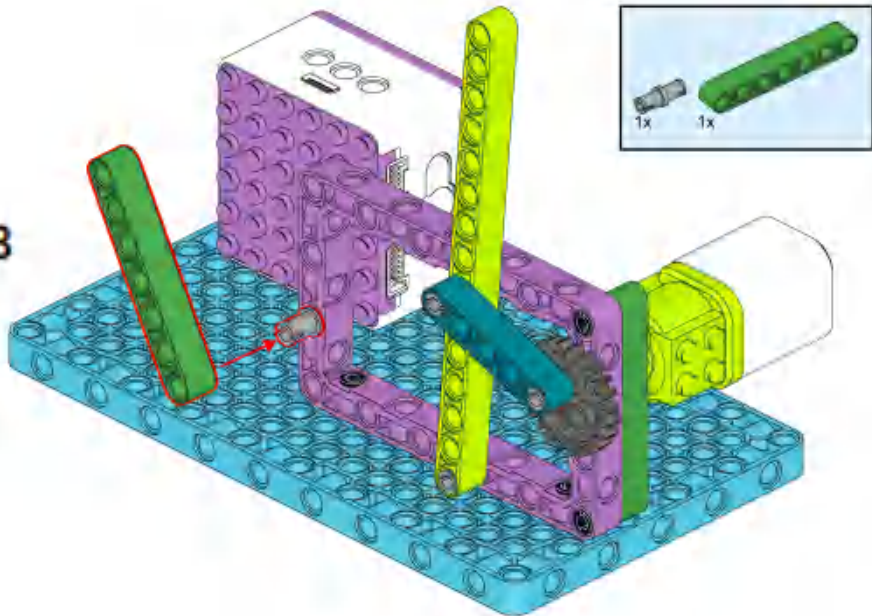
6



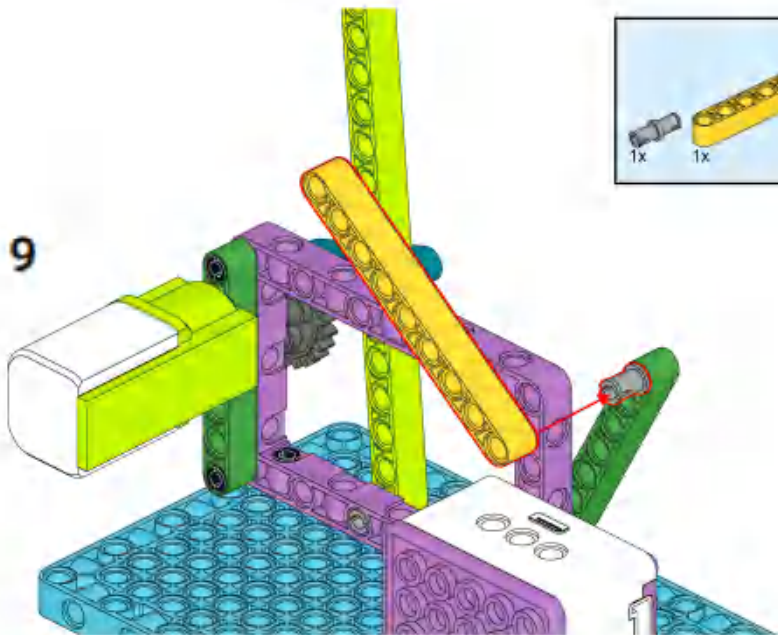
7

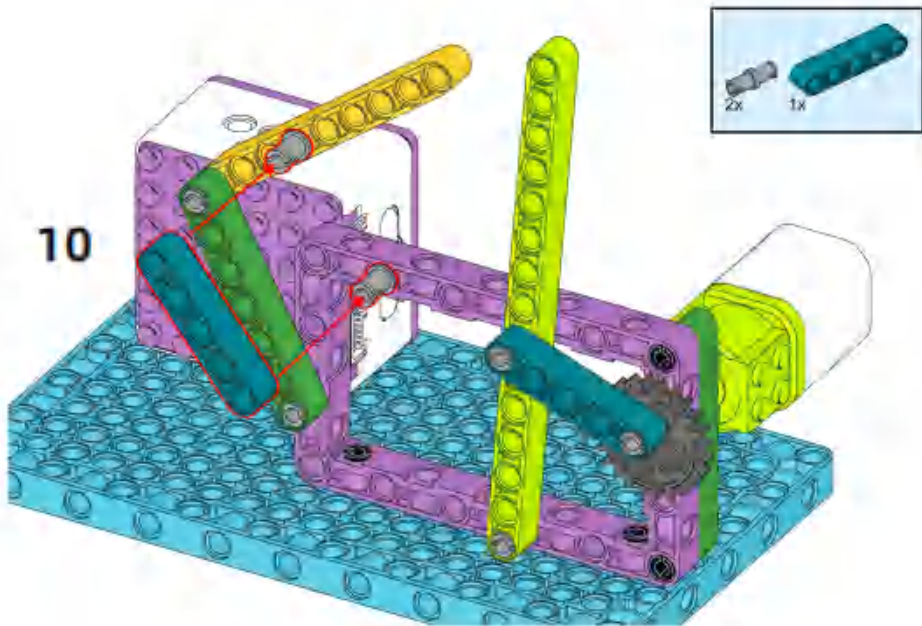


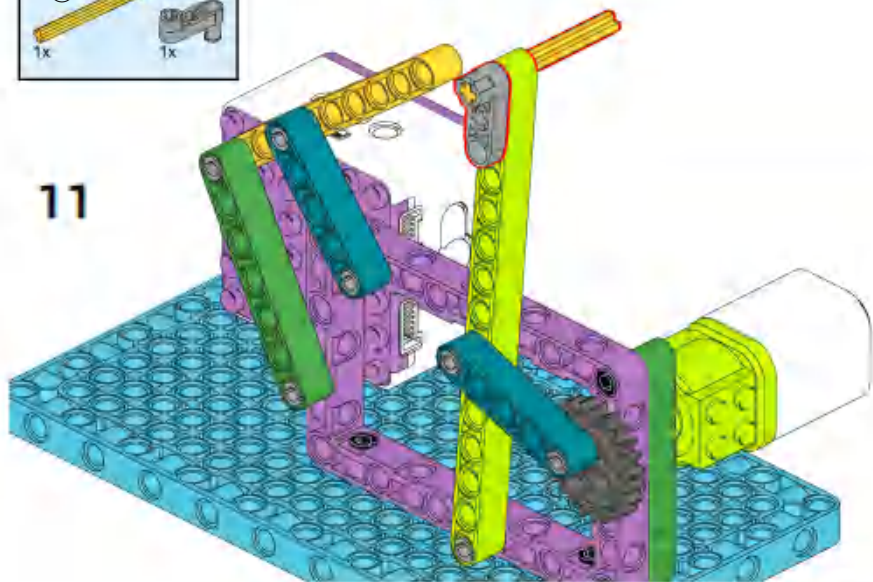
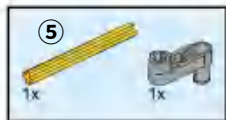
8



9

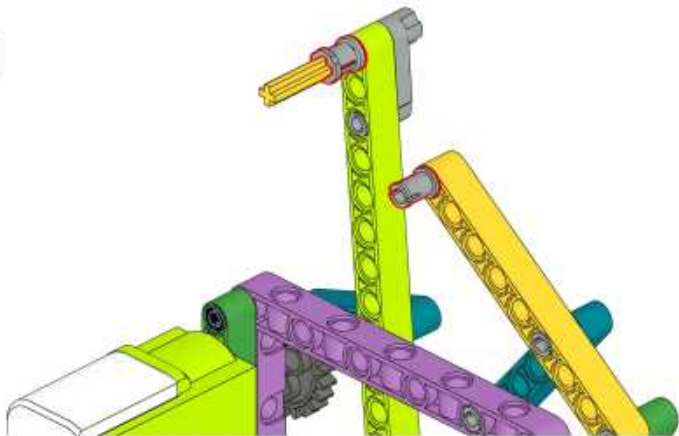


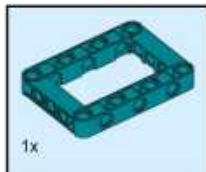






12

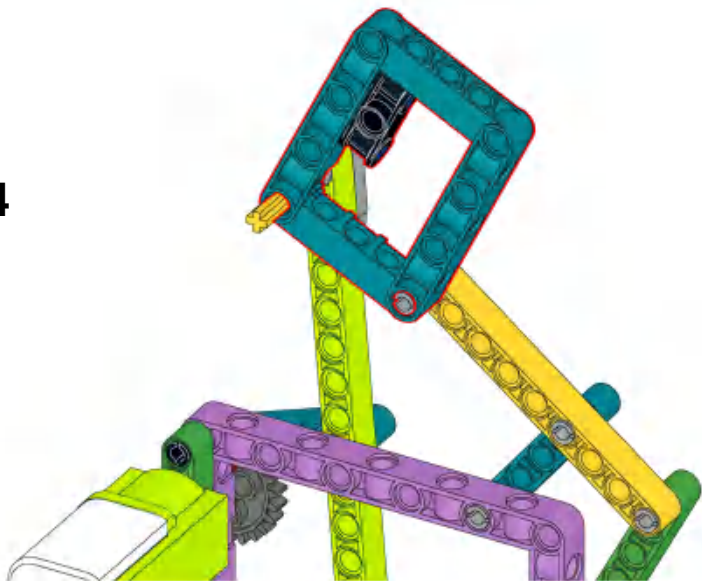




13

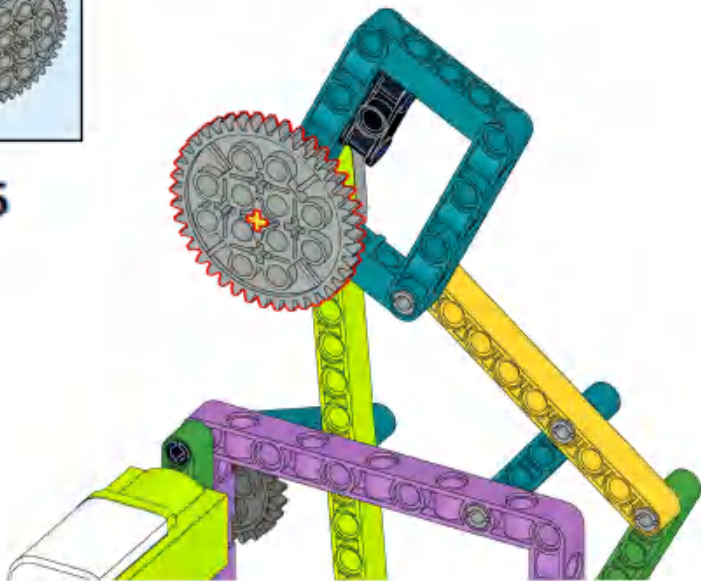


14



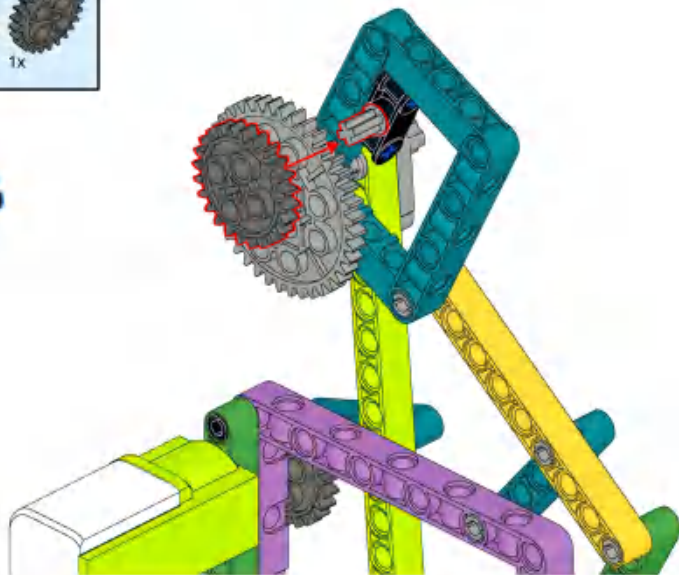


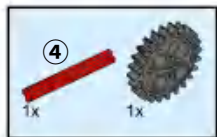
15



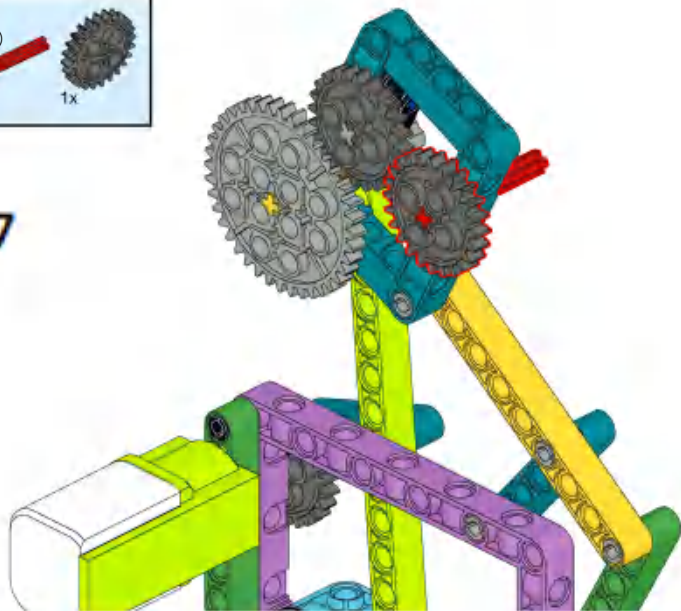


16

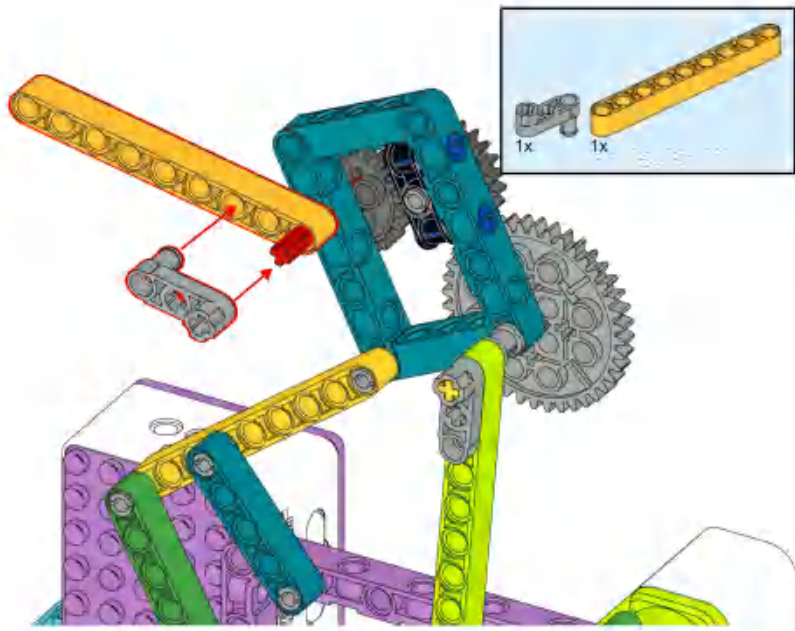




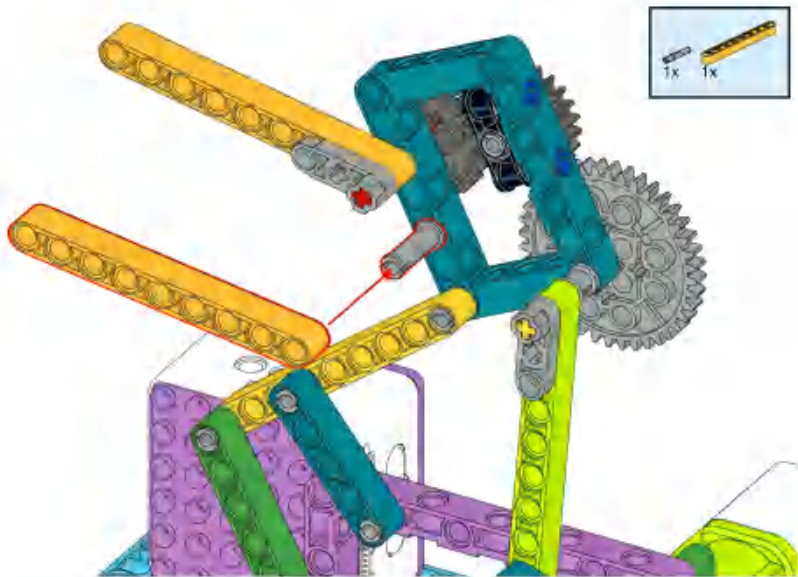
17



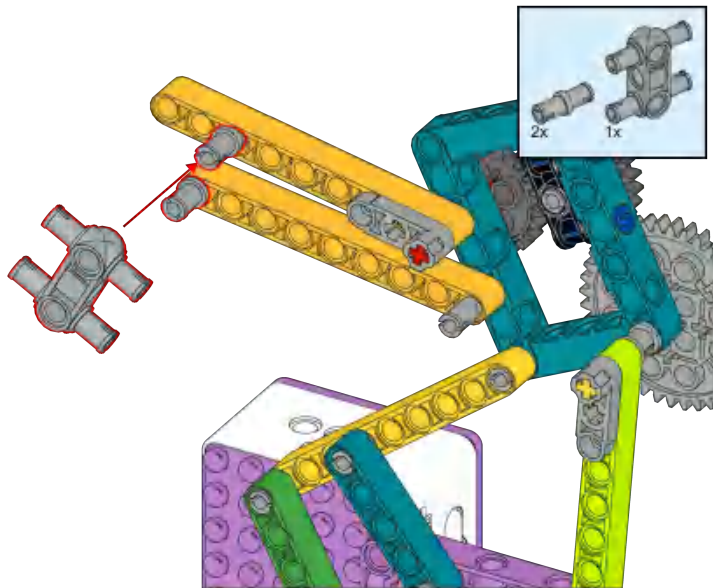
18

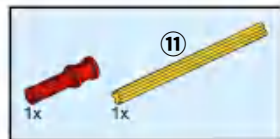


19

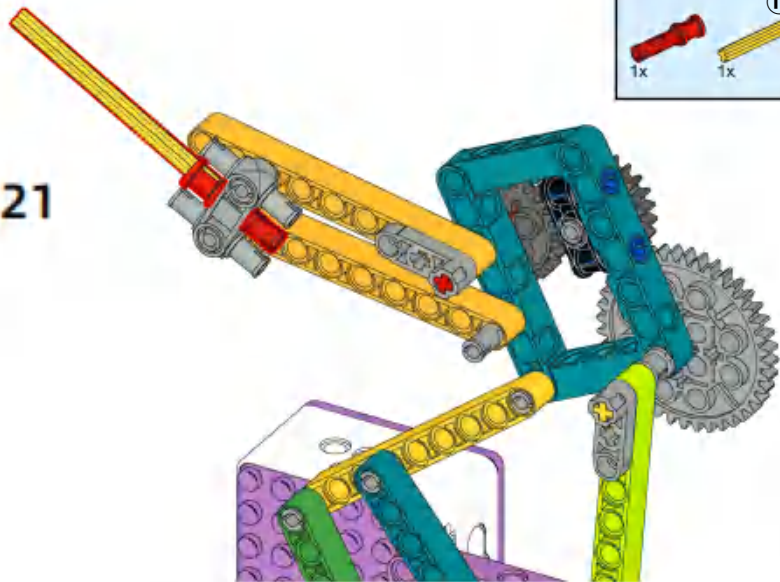


20

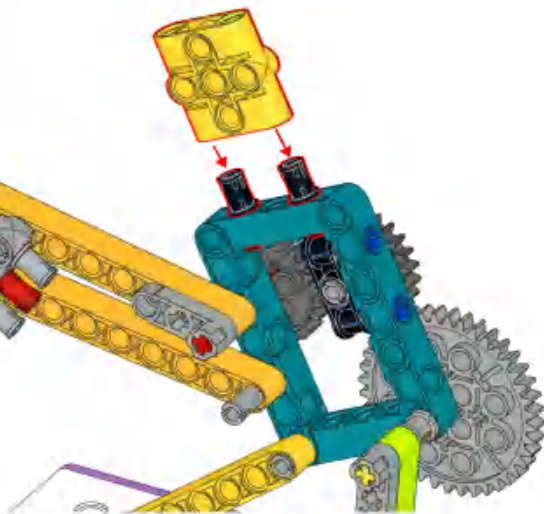




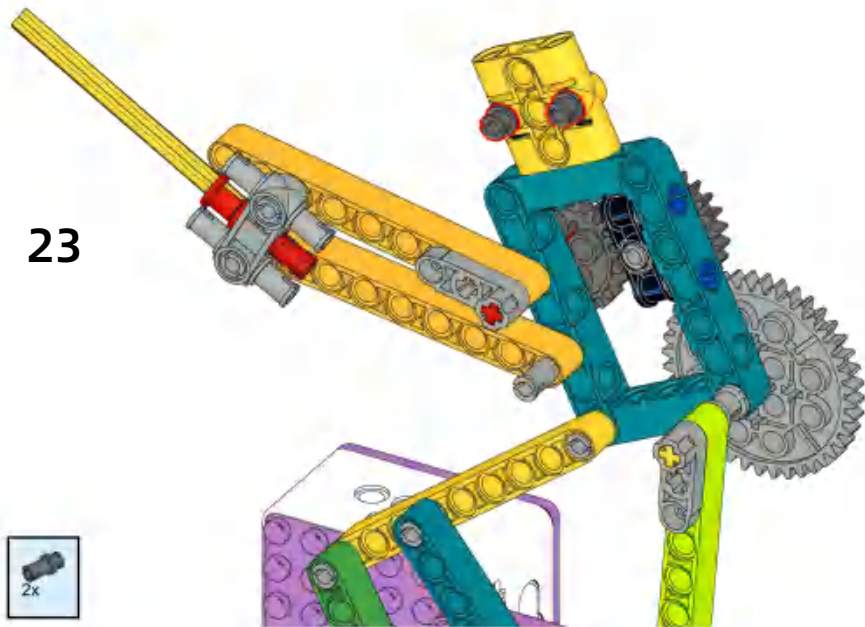
21



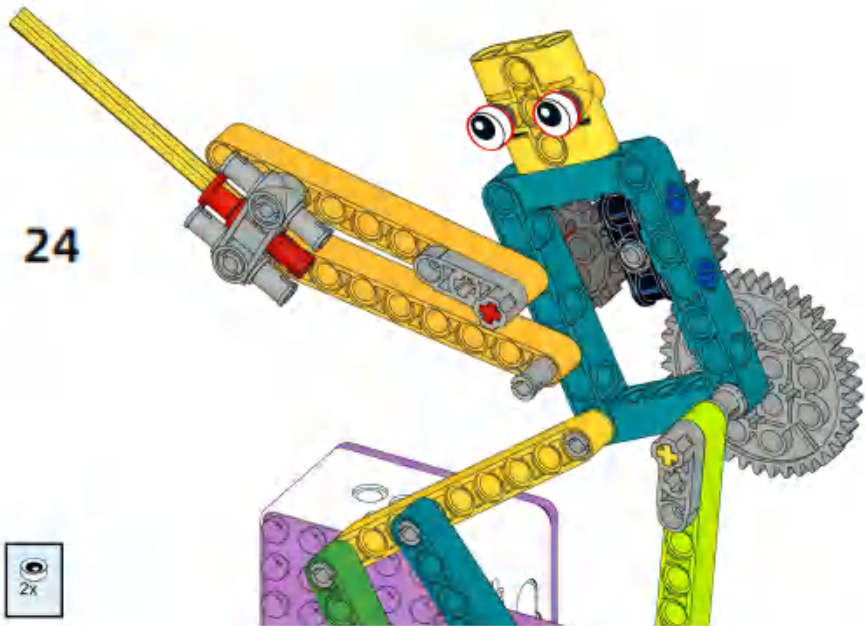
22



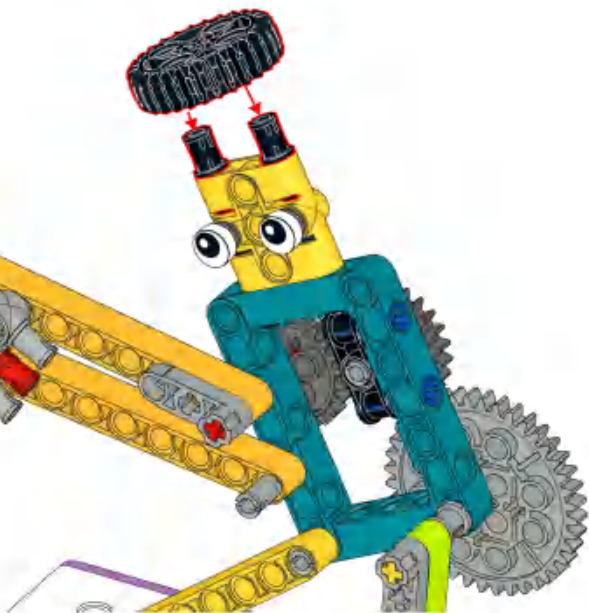
23



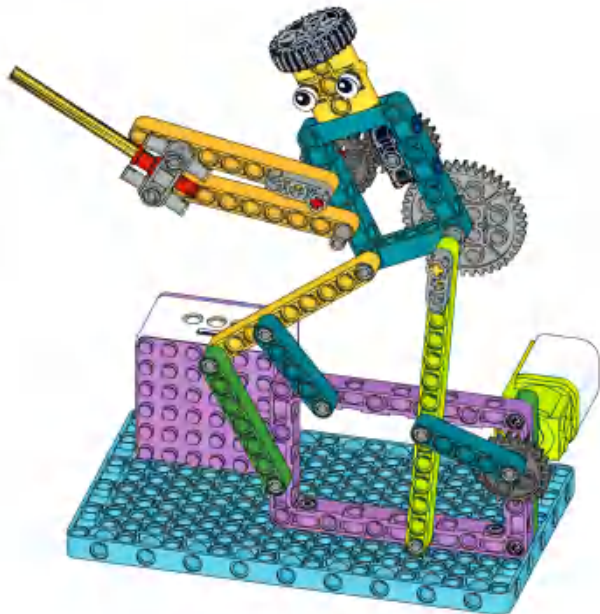
24



25

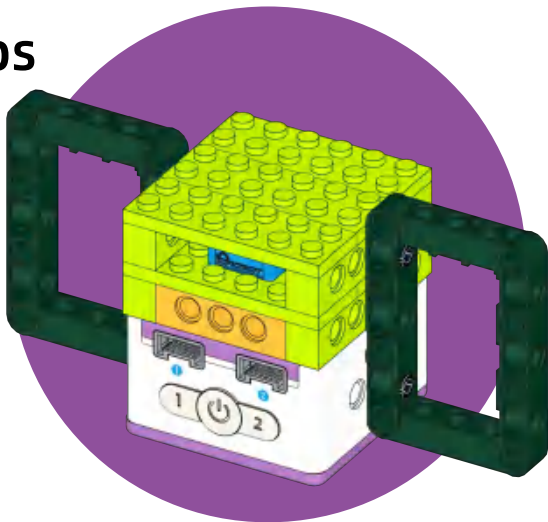


26



ICQBot

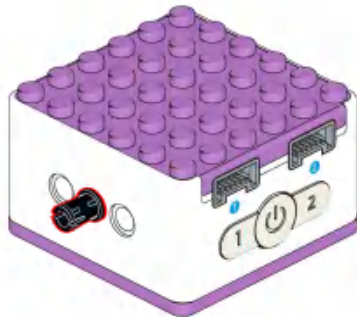
Building Steps

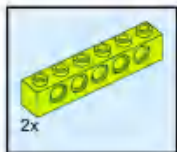
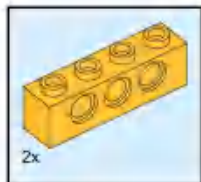


Pac-Man

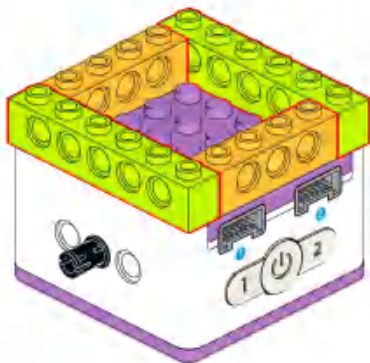
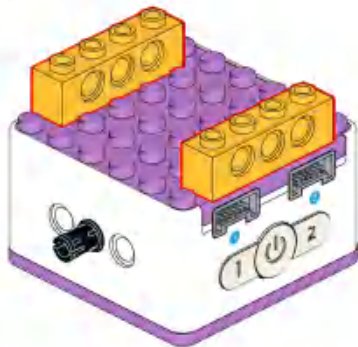


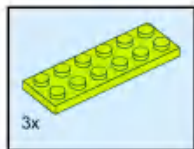
1



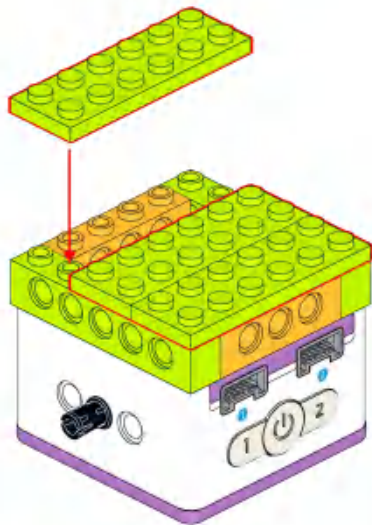


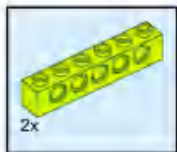
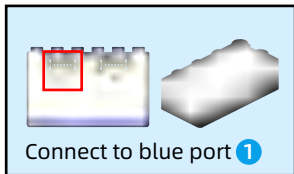
2



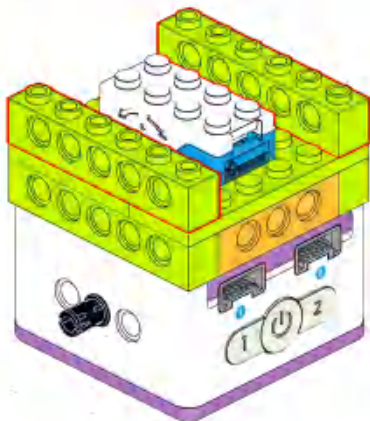
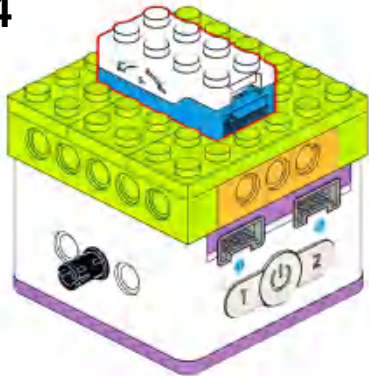


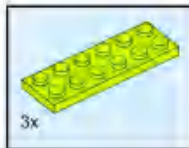
3



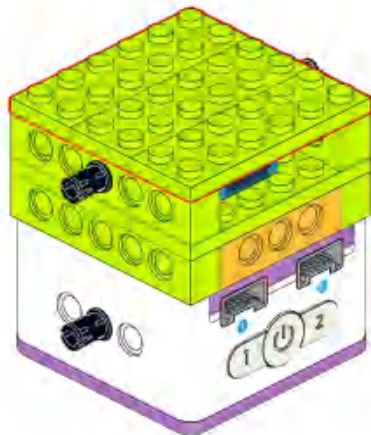
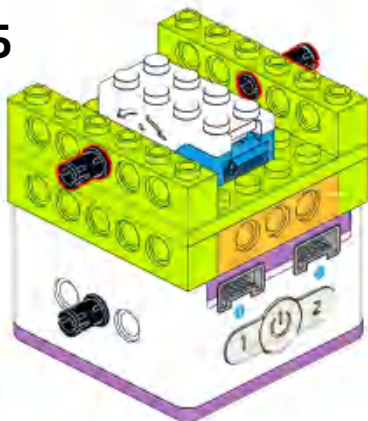


4

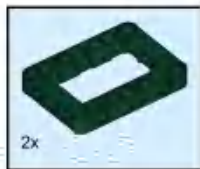
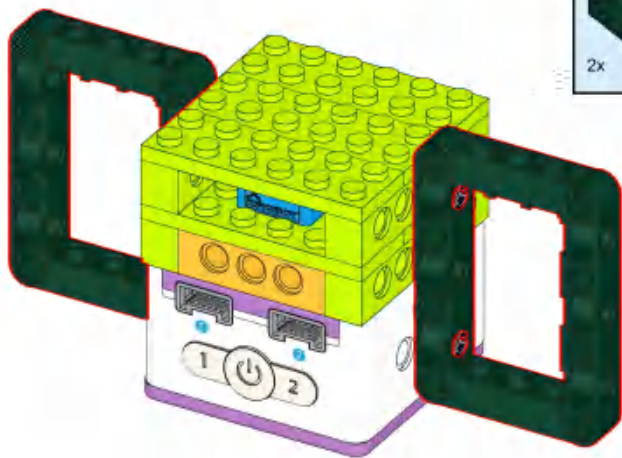




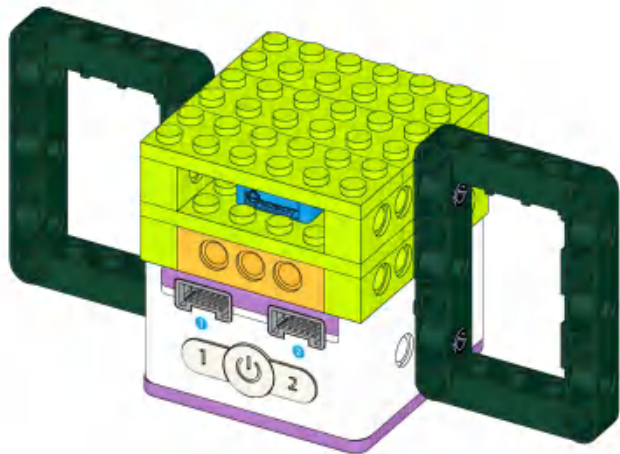
5



6



7



Ensure Bluetooth is Connected Properly



Make Pac-Man move.

Make the pellet disappear
after Pac-Man meets it.

Ensure Bluetooth is Connected Properly



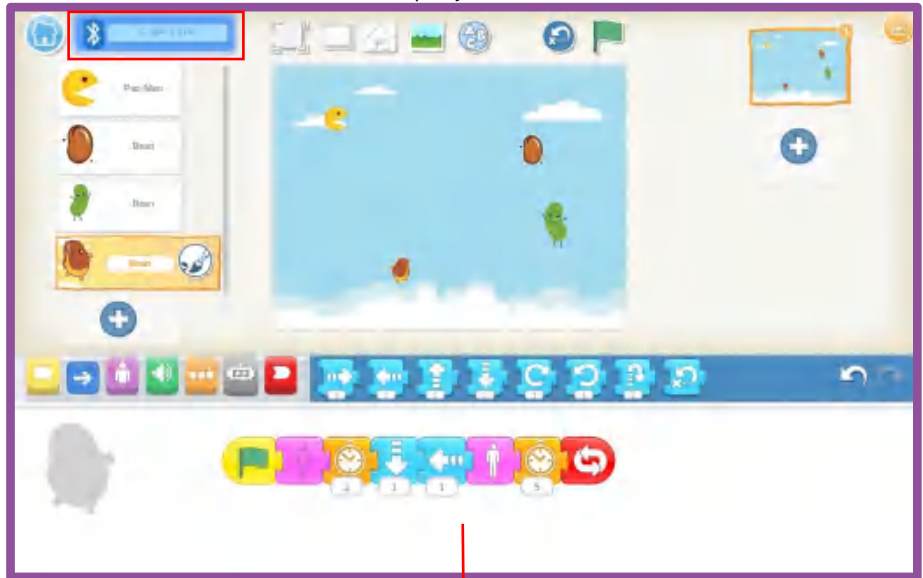
The program for the four small animals is the same. This only shows one.

Ensure Bluetooth is Connected Properly



The program for the four small animals is the same. This only shows one.

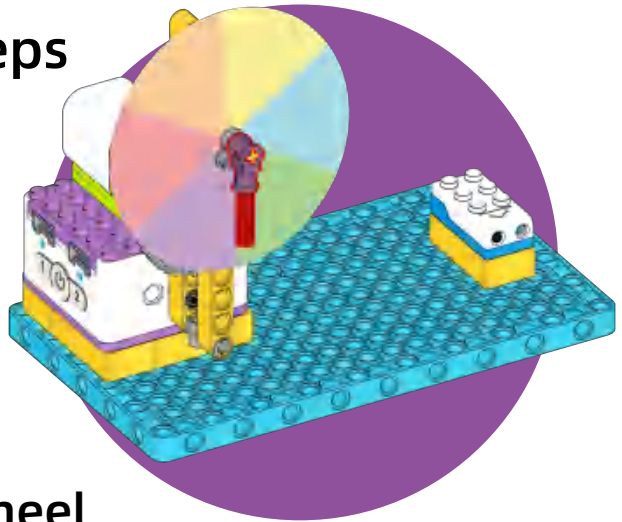
Ensure Bluetooth is Connected Properly



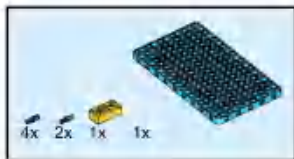
The program for the four small animals is the same. This only shows one.

ICQBot

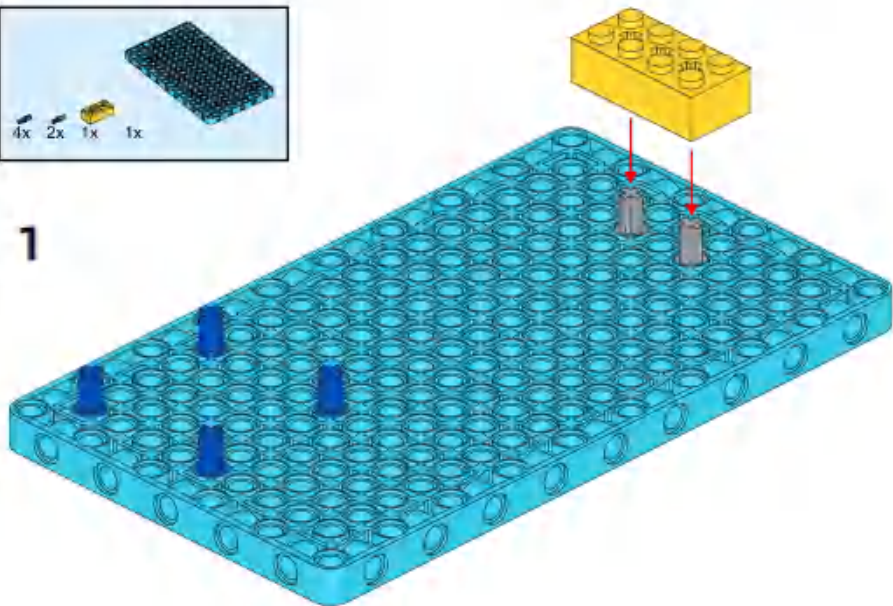
Building Steps

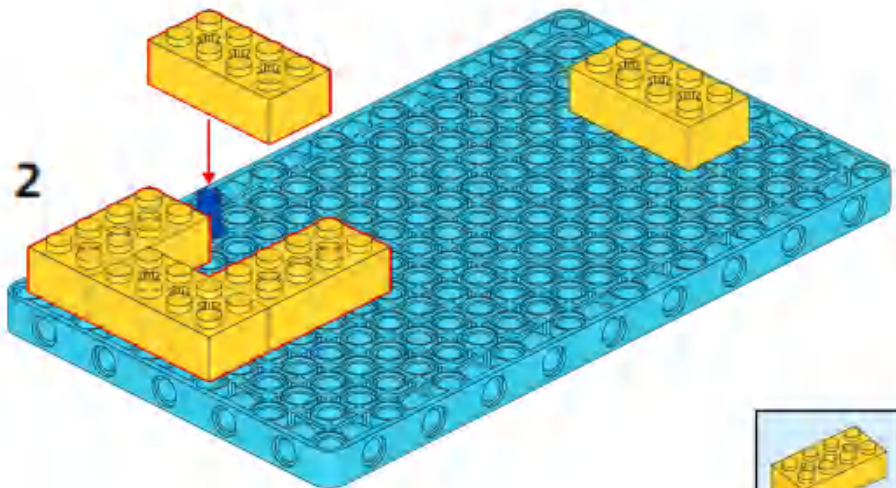


The Lucky Wheel

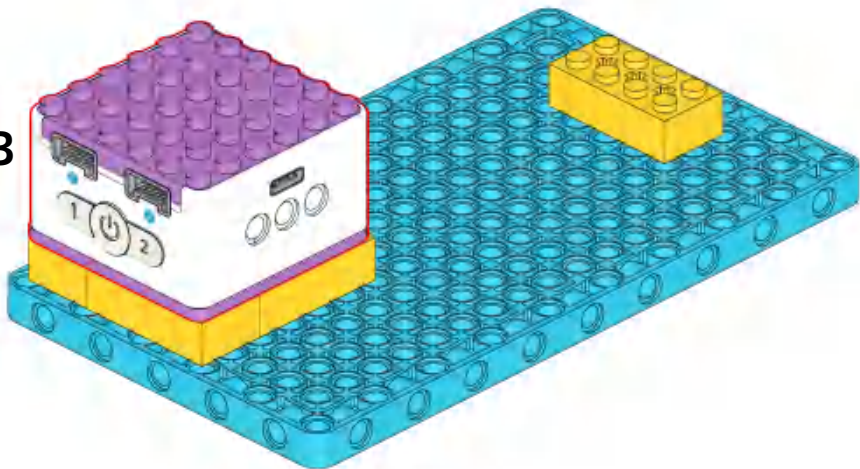


1

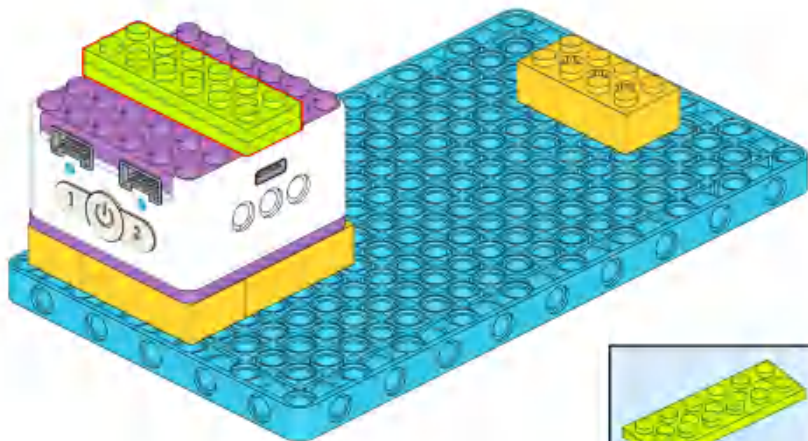




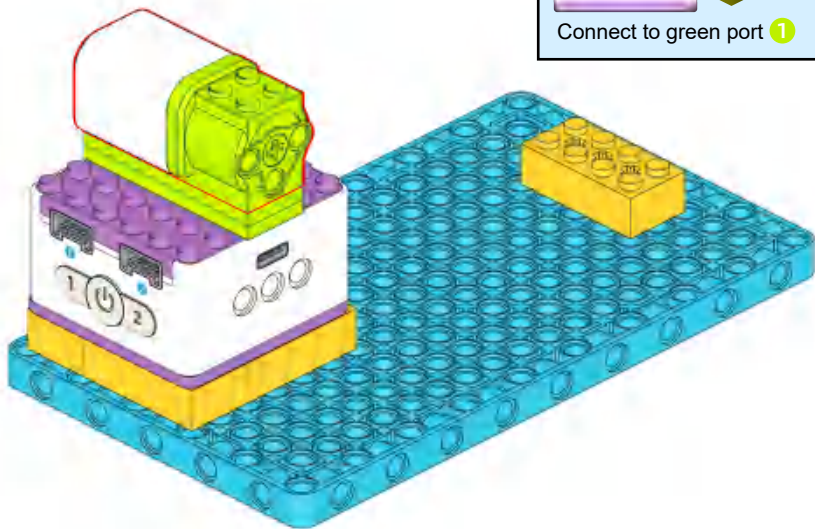
3



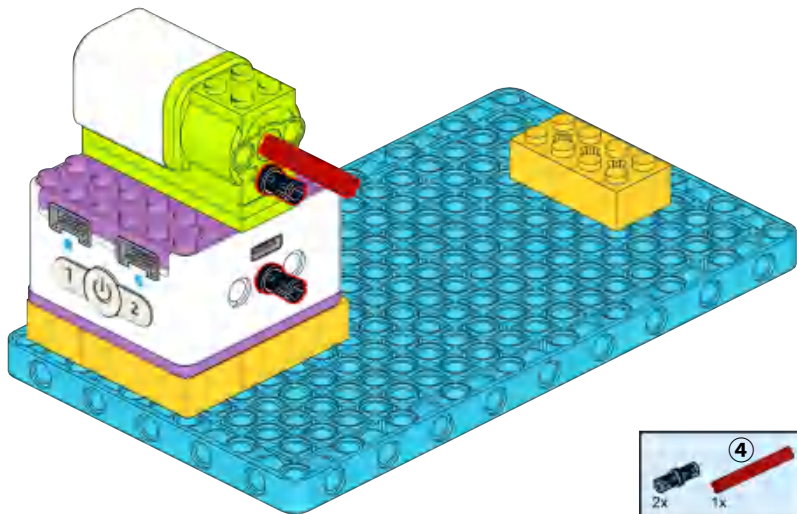
4



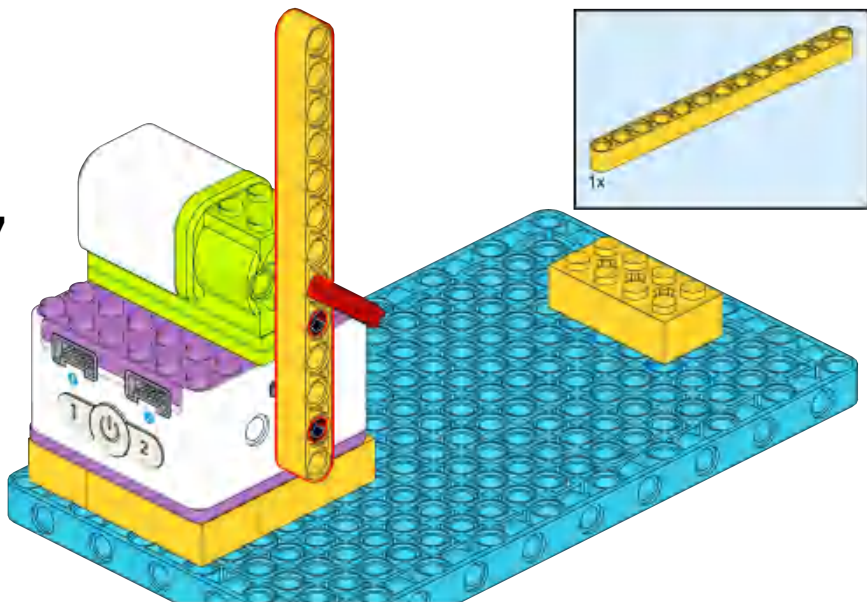
5



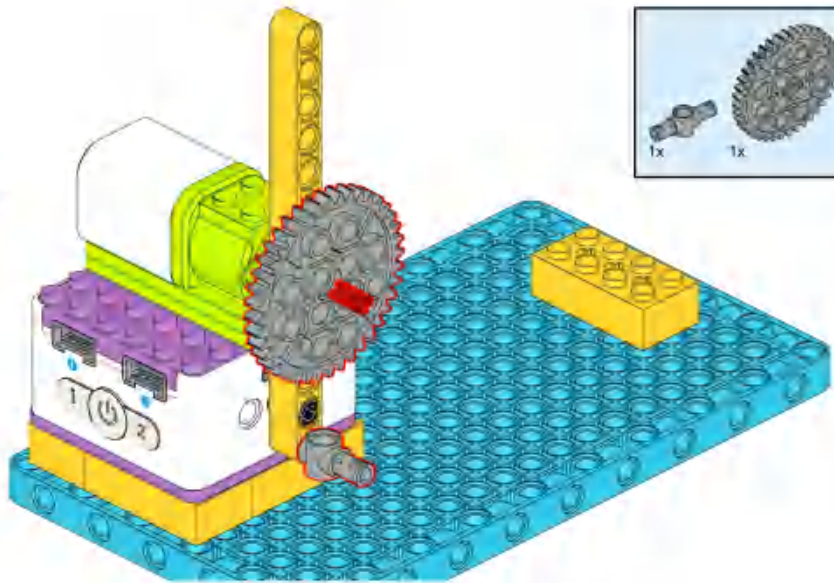
6



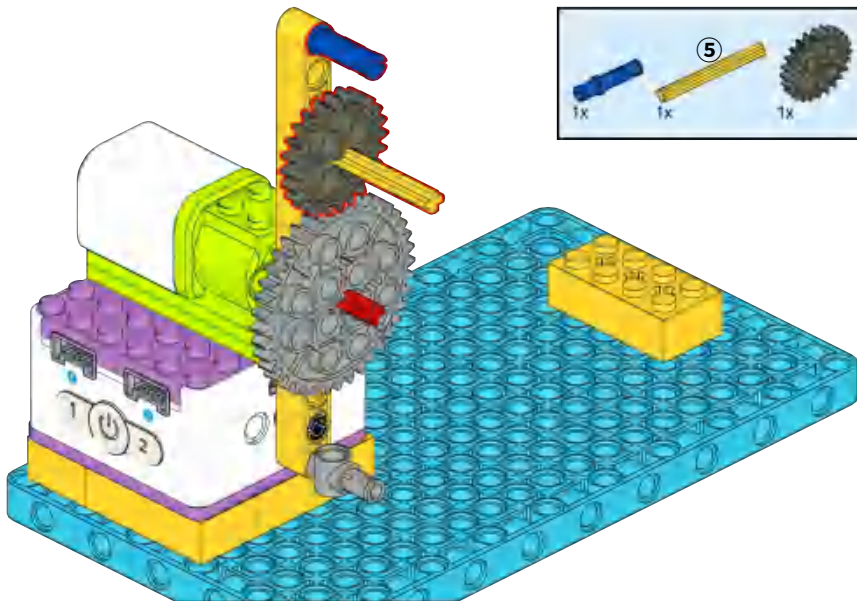
7



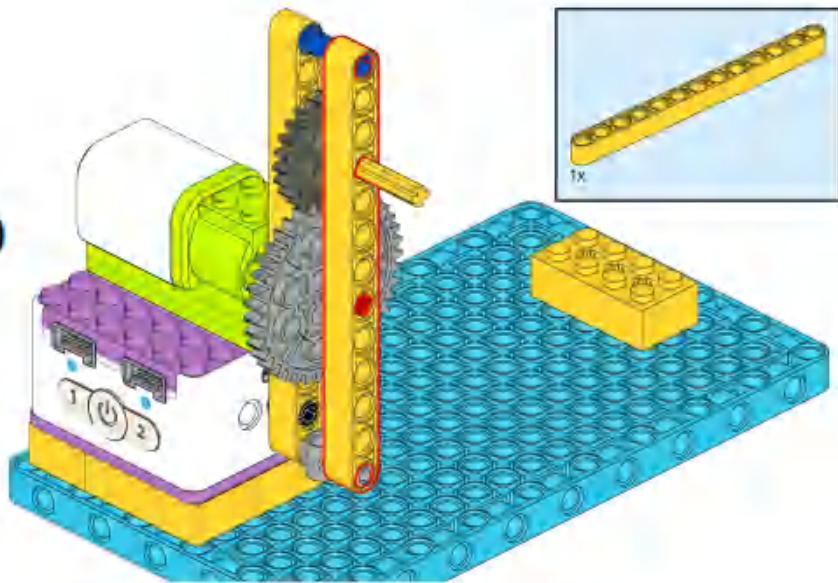
88



9

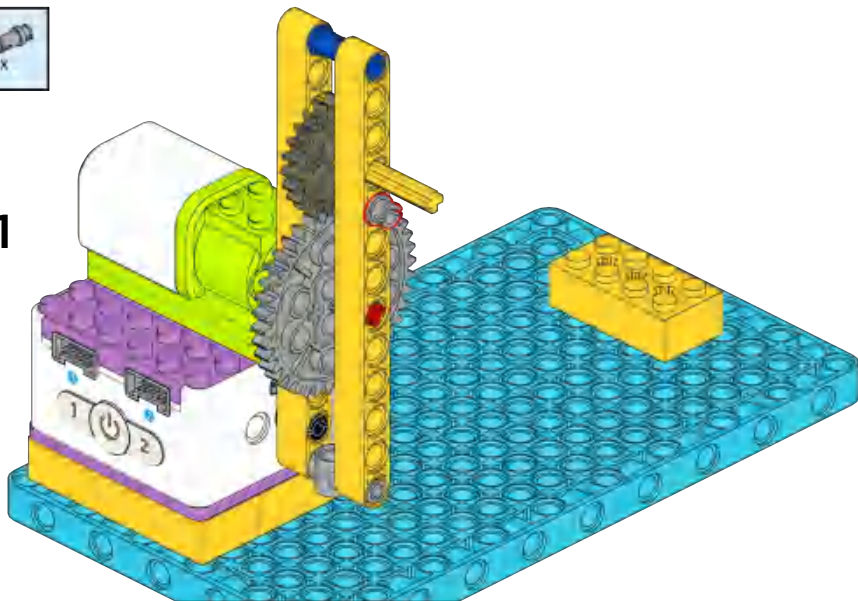


10

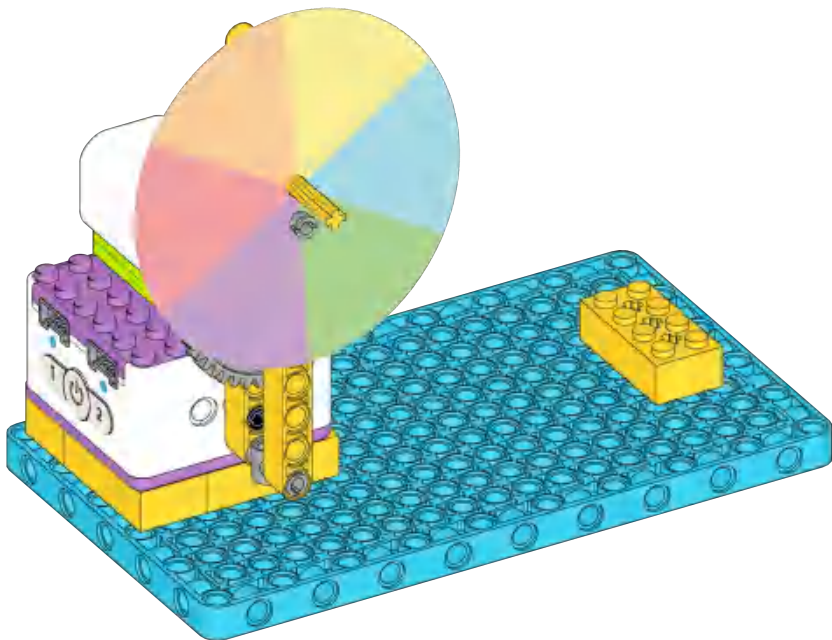




11

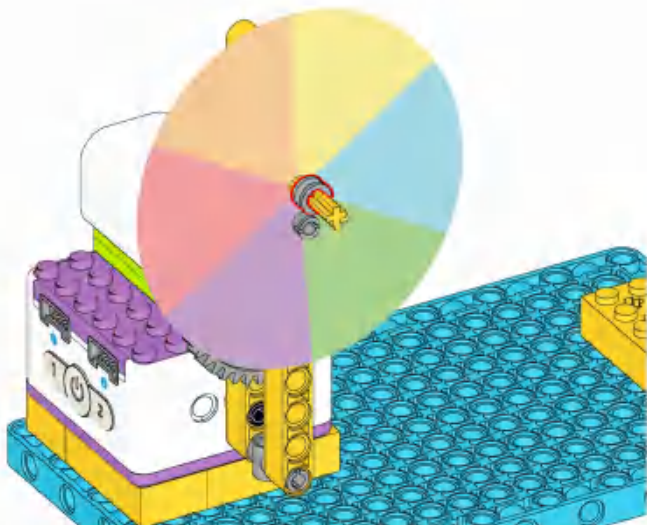


12

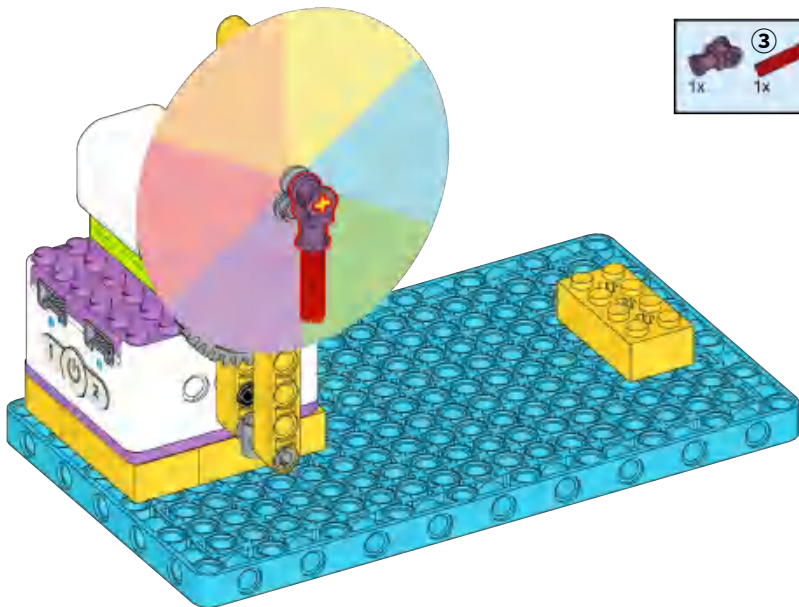


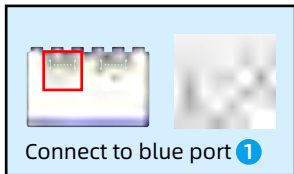


13

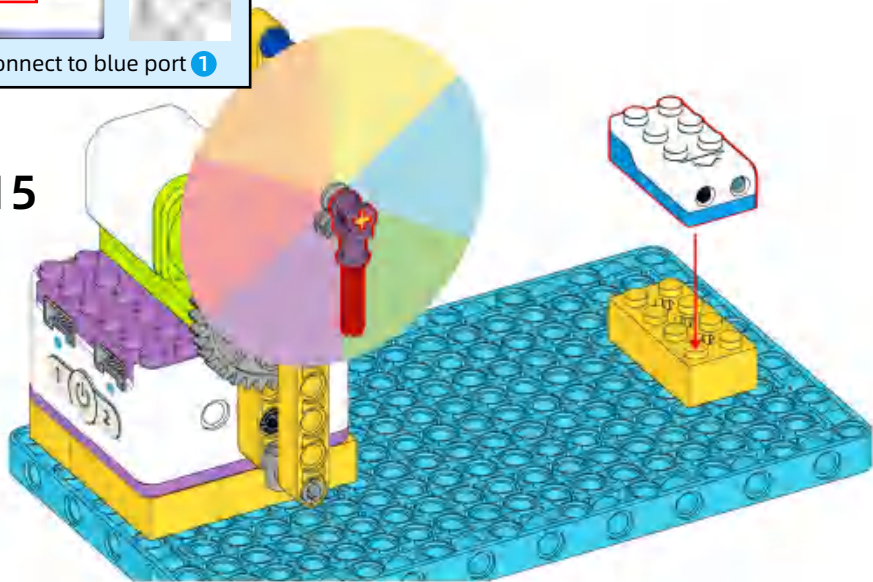


14

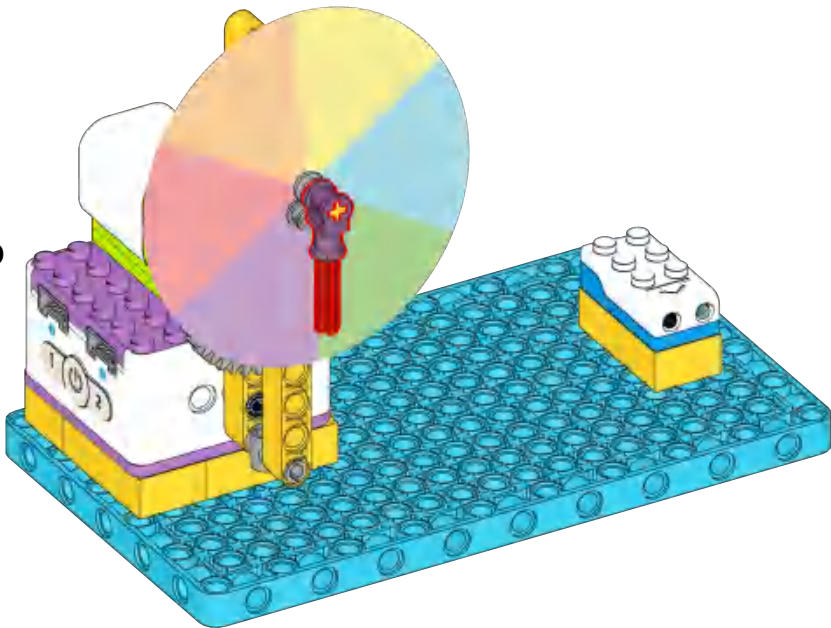




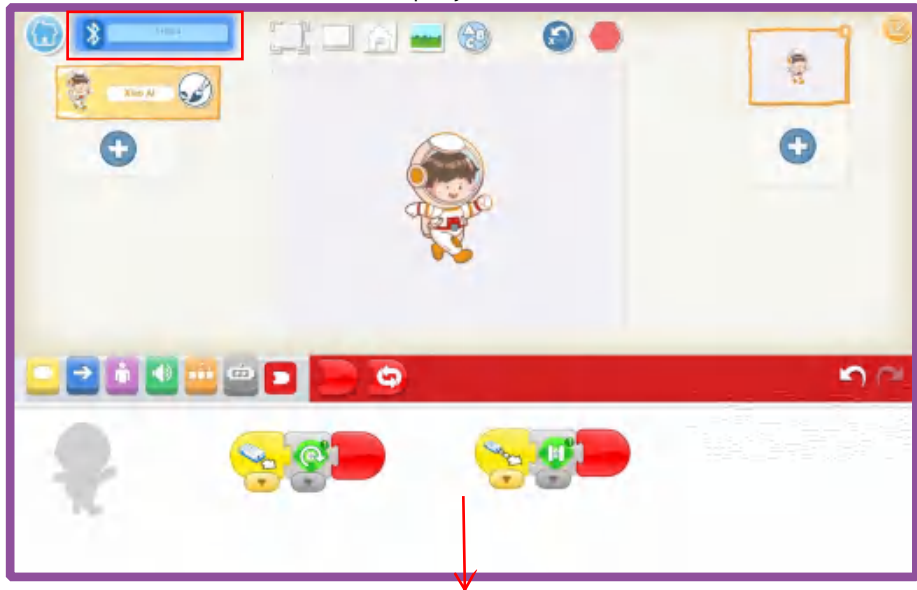
15



16



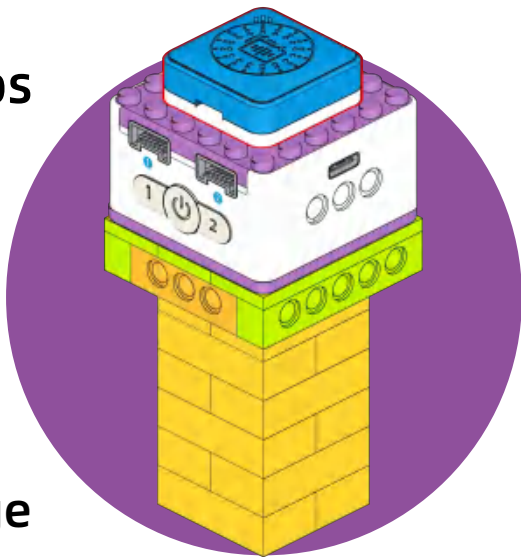
Ensure Bluetooth is Connected Properly



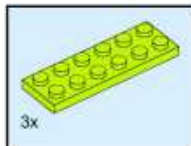
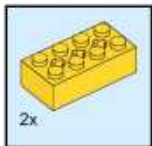
Approach the distance sensor, the motor rotates,
and move away from the distance sensor, the motor stops.

ICQBot

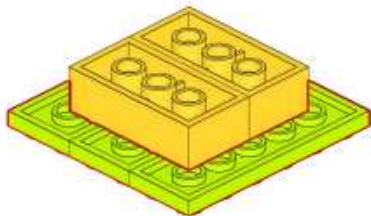
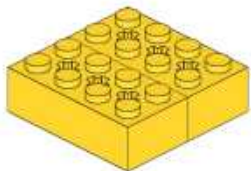
Building Steps

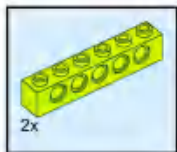


Obstacle Dodge

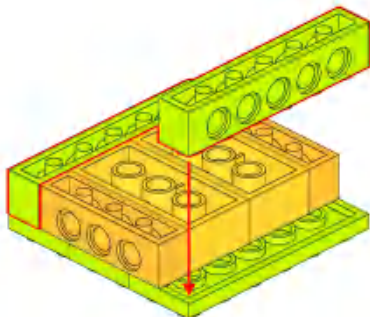
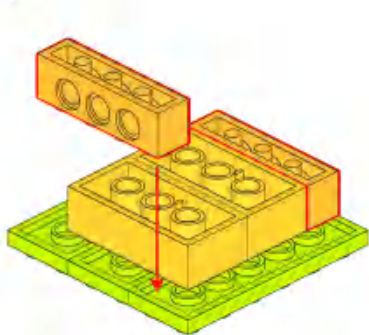


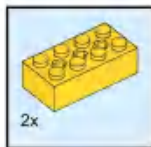
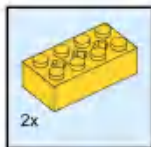
1



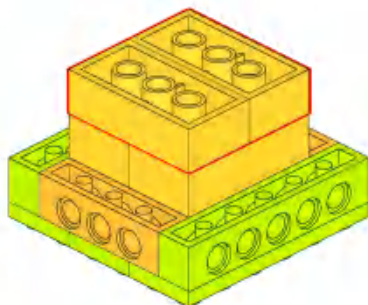
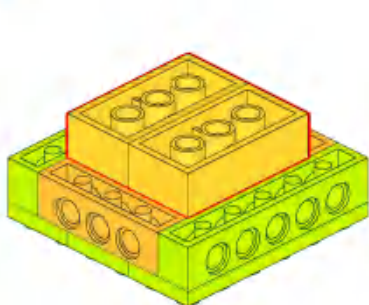


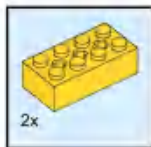
2



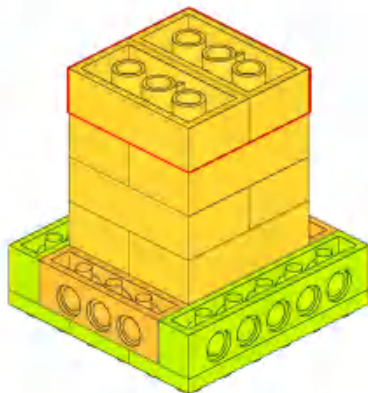
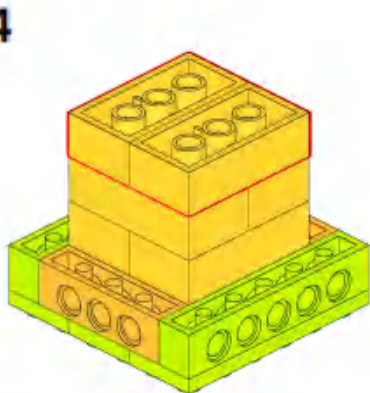


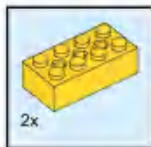
3



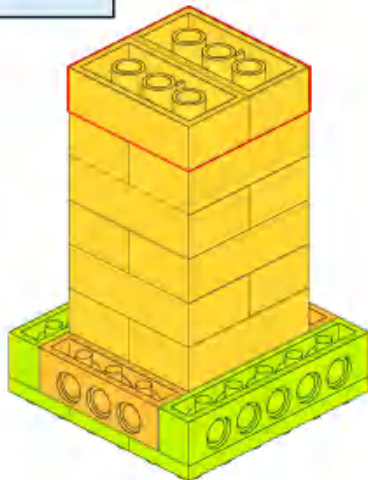
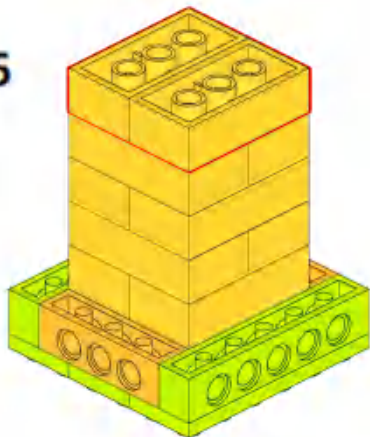


4



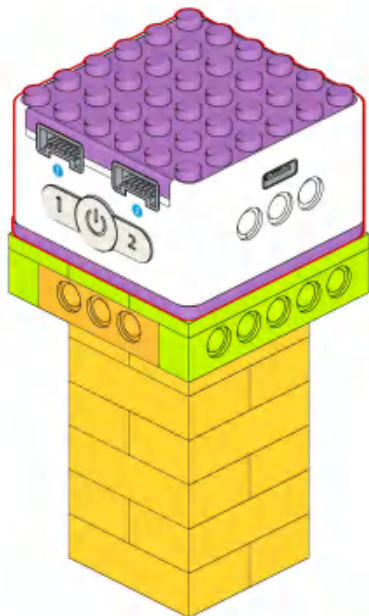


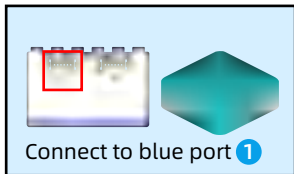
5



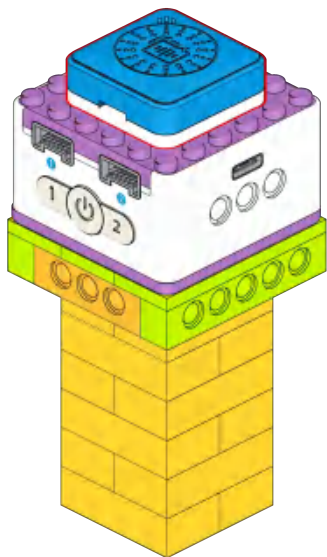


6





7



Ensure Bluetooth is Connected Properly



Use voice recognition sensor to control Xiao Ai's movements.

Ensure Bluetooth is Connected Properly



The program for the four small animals is the same.

Ensure Bluetooth is Connected Properly



The program for the four small animals is the same.

Ensure Bluetooth is Connected Properly



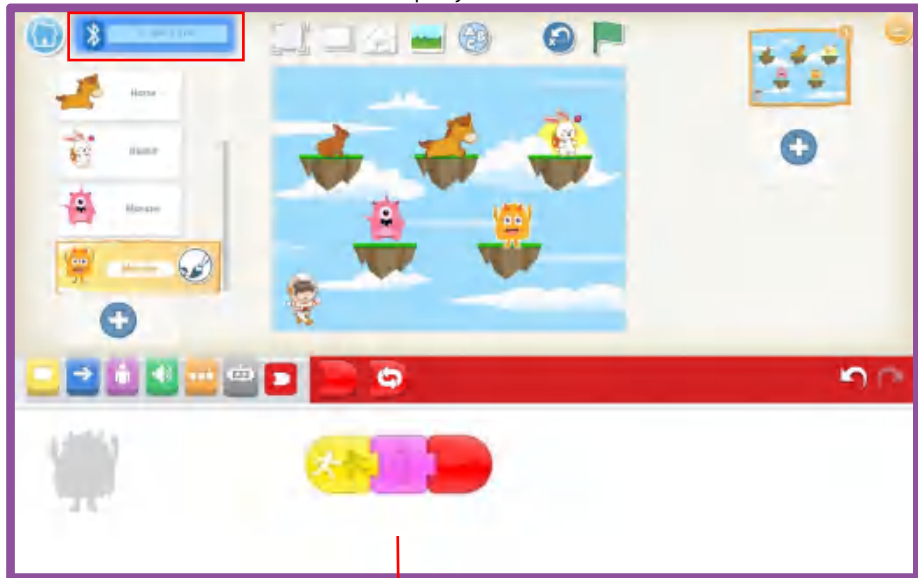
The program for the four small animals is the same.

Ensure Bluetooth is Connected Properly



The program for the four small animals is the same.

Ensure Bluetooth is Connected Properly



The program for the four small animals is the same.



x1



x1



x1



x1



x1



x4



x6



x2



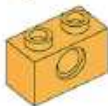
x4



x4



x4



x6



x4



x4



x7



x4



x3



x2



x3



x2





x2



x1



x8



x2



x4



x5



x3



x1



x1



x14



x7



x1



x4



x4



x4



x4



x2



x12



x4



x1



x2



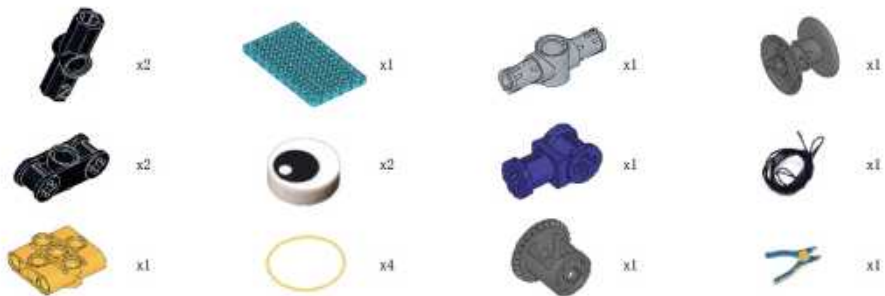
x2



x4



x4



Website

www.icreaterobot.com

E-mail

icrobot.service@gmail.com



YouTube



Website